

Strikes

Jamb Preparation for Schlage Hardware

STRIKE INDEX OF TEMPLATE SHEETS

Strikes		Jamb		
Number	Description	Template Number		
		Wood	Metal	
10-001	ANSI standard for 1 $\frac{3}{8}$ " (35mm) doors, standard for A-Series, B250/252,F10/51/80F, and S-Series	J454	J455	
10-004	$\frac{1}{4}$ " (6mm) Radius round corner	J456		
10-013	ANSI standard for 1 $\frac{3}{8}$ " (35mm) doors	J454	J455	
10-016	Deep box, fire door latch	J454	J455	
10-019	Marine box	J454	J455	
10-025	ANSI standard A115 for 1 $\frac{3}{4}$ " (44mm) doors, standard for AL, D and DE-Series	J918	J919	
10-026	Full lip, square corner, standard for MD10/40S	J458	J459	
10-027	Full lip, $\frac{1}{4}$ " (6mm) radius round corner	J460	J461	
10-042	Electric latch release	J911	J912	
10-055	Deadbolt, standard for B400 and B600/700/800-Series	J884	J477	
10-058	Circular, adjustable, drive-in	J478		
10-063	Double Option	Full lip, square corner	J458	J459
	Standard for F10 thru F80	Full lip, $\frac{1}{4}$ " (6mm) radius corner	J460	J461
10-064	Deadbolt, thimble	J563	J563	
10-072	ANSI standard A115 for 1 $\frac{3}{4}$ " (44mm) doors, mortise, standard for L9000-Series (except deadbolts), LE-Series and ME9453	J918	J919	
10-073	Mortise deadbolt, no lip, standard for L9460/62/63/64	J920	J921	
10-075	Mortise, $\frac{1}{2}$ " (13mm) rabbeted	J557	J557	
10-078	Mortise, L9000-Series, deadbolt, no lip	J920	J921	
10-079	Mortise deadbolt, no lip, standard for L460/62/63/64/80	J922	J923	
10-087	ANSI standard A115 for 1 $\frac{3}{4}$ " (44mm) doors, 1 $\frac{3}{16}$ " (30mm) lip, deadbolts	J918	J919	
10-091	Mortise, armor front strike (handed for inactive door)	J913	J913	
10-092	Full lip, $\frac{1}{4}$ " (6mm) radius round corner, deadbolt	J786		
10-094	Deadbolt, standard for B100 and B300-Series	J884	J477	
10-095	Full lip, square corner, deadbolt	J787		
10-230	Double Option	Square corner	J924	J925
	Standard for B260/262/280	$\frac{1}{4}$ " (6mm) Radius round corner	J926	J927
10-231	Square corner	J924	J925	
10-232	$\frac{1}{4}$ " (6mm) Radius round corner	J926	J927	
10-250	10-055 x 10-001 Combination, standard for H and S200-Series	J907	J908	
10-251	10-064 x 10-001 Combination	• 4" Center-to-center for H and S200-Series • 4" Minimum center-to-center for F160/162N and F360/362 • 5 $\frac{1}{2}$ " Minimum center-to-center for EB51/52N and MD160/162	J563 & J454	J563 & J455
10-252	10-055 x 10-026 Combination	J905	J906	

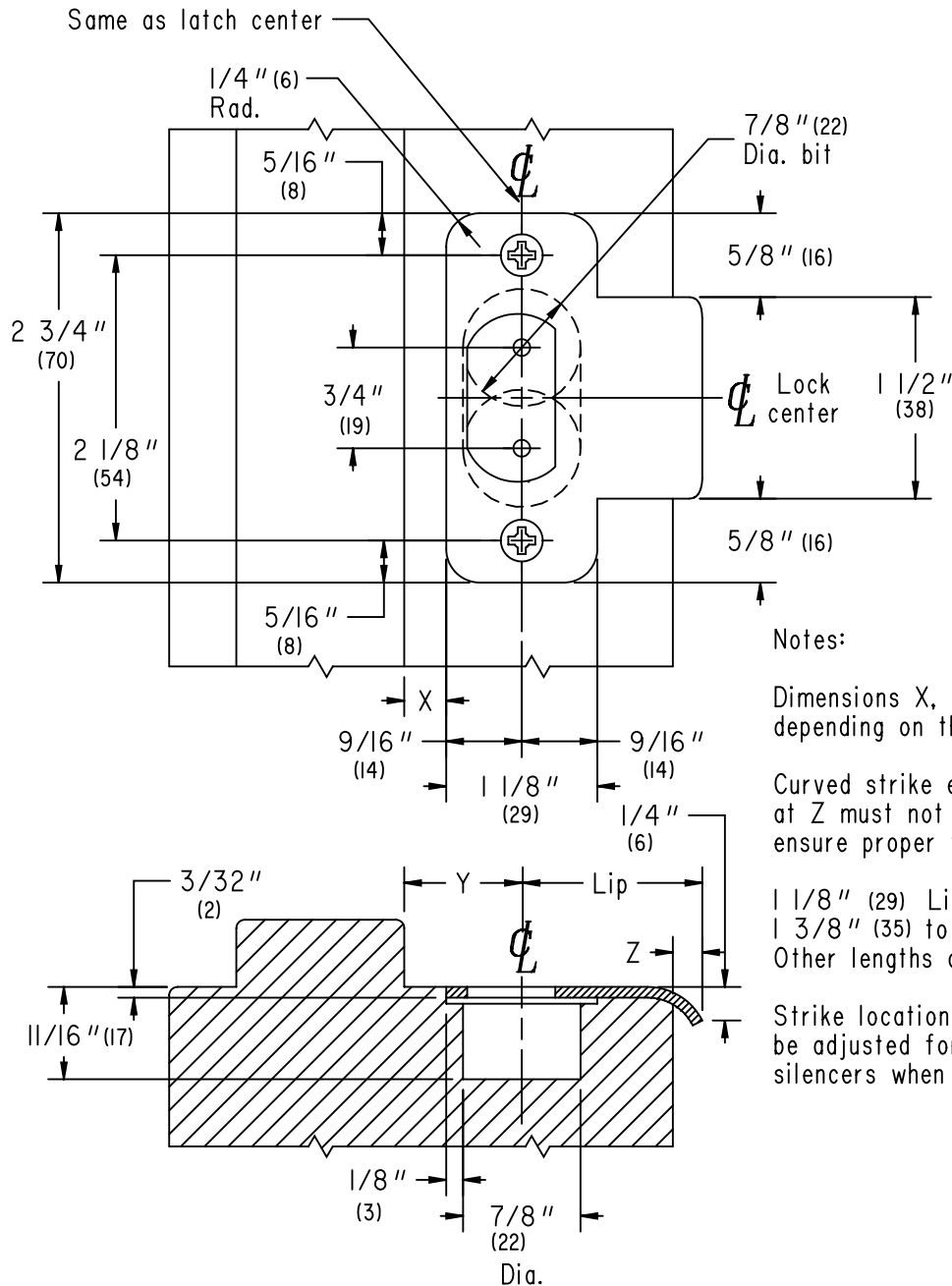
Jamb Preparation for Schlage Hardware

Strikes

STRIKE INDEX OF TEMPLATE SHEETS

Strikes		Jamb	
Number	Description	Template Number	
		Wood	Metal
10-253	10-064 x 10-026 Combination <ul style="list-style-type: none"> • 4" Center-to-center for H and S200-Series • 4" Minimum center-to-center for F160/162N and F360/362 • 5½" Minimum center-to-center for EB51/52N and MD160/162 	J563 & J458	J563 & J459
10-254	10-094 x 10-026 Combination, standard for F160/162N and F360/362	J905	J906
10-255	10-055 x 10-027 Combination	J916	J917
10-256	10-064 x 10-027 Combination <ul style="list-style-type: none"> • 4" Center-to-center for H and S200-Series • 4" Minimum center-to-center for F160/162N and F360/362 • 5½" Minimum center-to-center for EB51/52N and MD160/162 	J563 & J460	J563 & J461
10-257	10-092 x 10-027 Combination	J914	J915
10-258	10-064 x 10-058 Combination <ul style="list-style-type: none"> • 4" Center-to-center for H and S200-Series • 4" Minimum center-to-center for F160/162N and F360/362 • 5½" Minimum center-to-center for EB51/52N and MD160/162 	J563 & J478	
10-259	10-095 x 10-026 Combination <ul style="list-style-type: none"> • 4" Center-to-center for H and S200-Series • 4" Minimum center-to-center for F160/162N and F360/362 • 5½" Minimum center-to-center for EB51/52N and MD160/162 	J787 & J458	
10-260	10-094 x 10-027 Combination <ul style="list-style-type: none"> • 4" Center-to-center for H and S200-Series • 4" Minimum center-to-center for F160/162N and F360/362 • 5½" Minimum center-to-center for EB51/52N and MD160/162 	J884 & J460	J477 & J461
10-261	Full lip, square corner, combination screws, standard for ME10/40N	J458	J459
10-262	Full Lip, ¼" radius round corner, combination screws	J460	J461
10-263	10-055 x 10-261 Combination, standard for MD160/MD162	J905	J906
10-264	10-266 x 10-262 Combination	J914	J915
10-266	Full lip, ¼" (6mm) radius corner, deadbolt, combination screws	J786	
90-040	90-043 x 90-041 Combination, standard for EB51/52N	J905	J906
90-041	Full lip, square corner, standard for E51N	J458	J459
90-042	Full lip, ¼" (6mm) radius round corner	J460	J461
90-043	Deadbolt, square corner, standard for B400N-Series	J884	J477

Note: Dimensions shown in parenthesis () are in millimeters.



	JOB _____	TEMPLATE NO.
	DATE _____ DOOR THICKNESS _____	J456
	REMARKS _____	

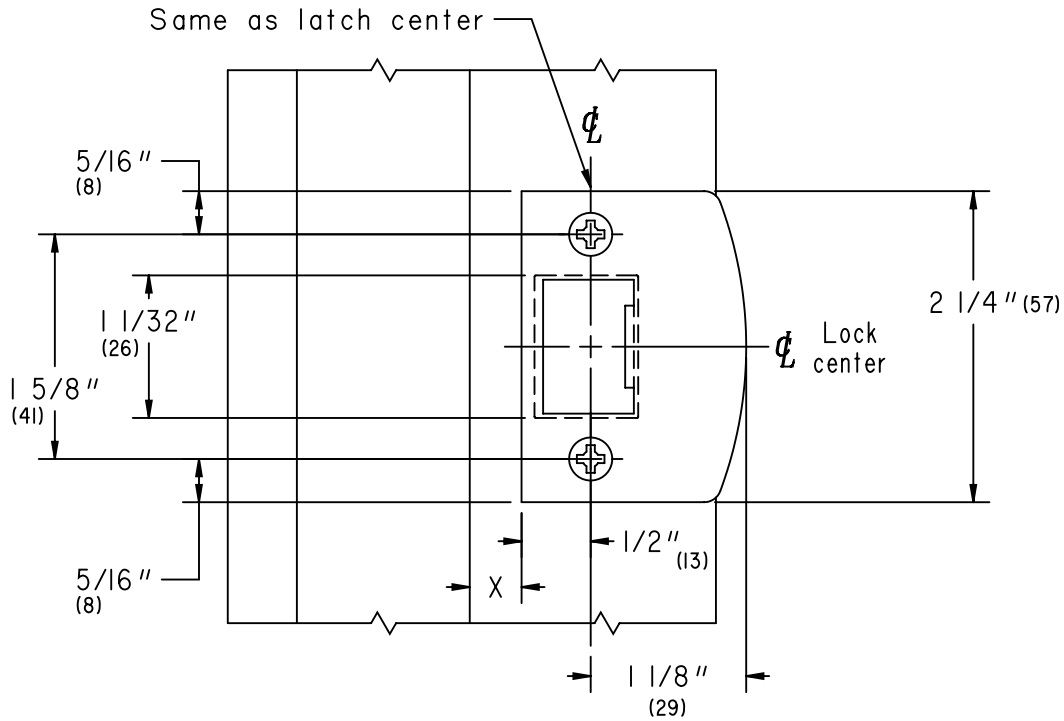
10-026
10-261
90-041

Wood jamb
Full lip, square corner
Standard for E51N, MD10/40S and ME10/40.

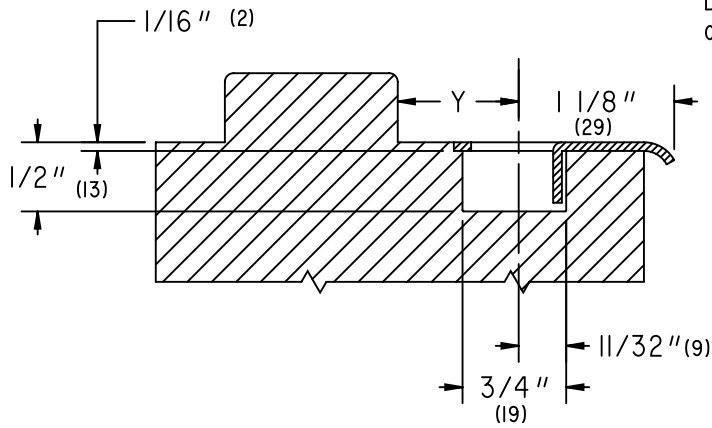
SCHLAGE®

Strikes

Note: Dimensions shown in parenthesis () are in millimeters.



Note:
Dimensions X and Y are variables,
depending on door thickness.



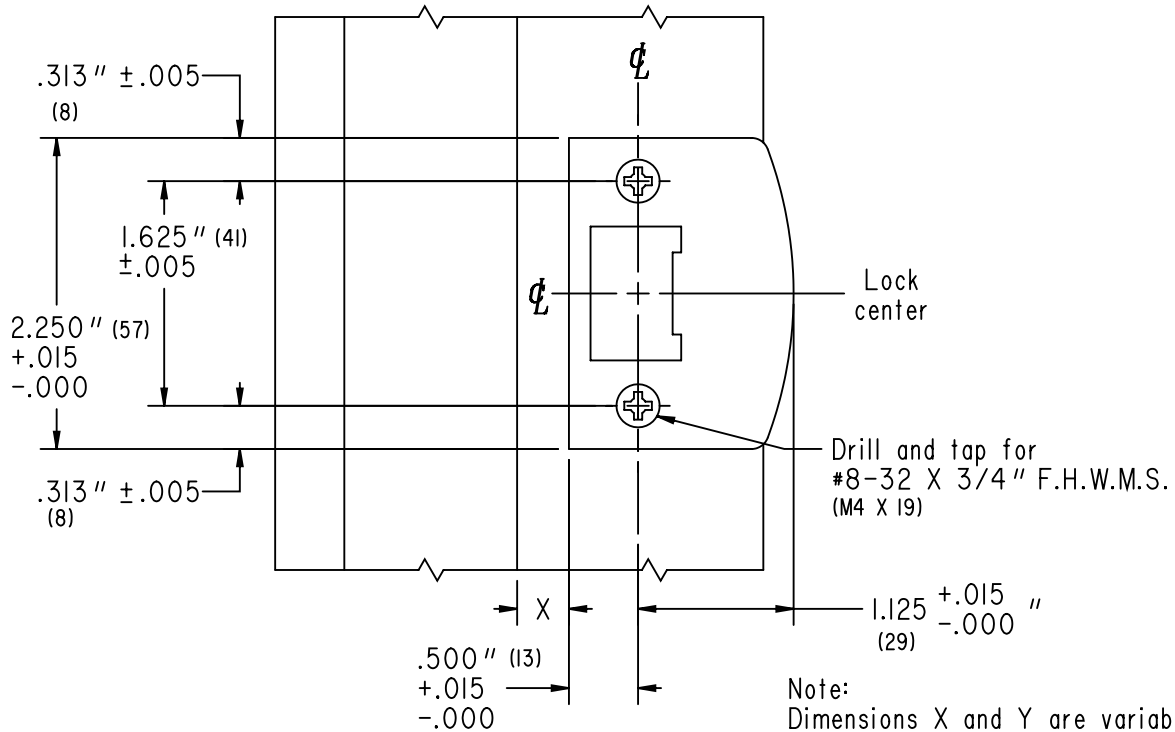
TEMPLATE NO. J458	JOB _____ DATE _____ DOOR THICKNESS _____ REMARKS _____	
---------------------------------	---	--

10-026
10-261
90-041

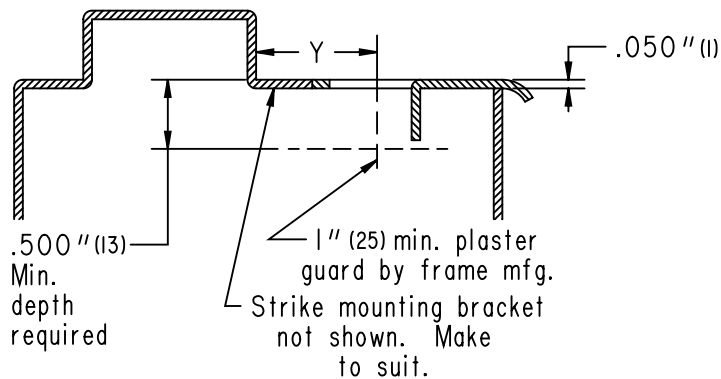
Metal jamb
Full lip, square corner
Standard for E51N, MD10/40S and ME10/40.
Note: Dimensions shown in parenthesis () are in millimeters.

SCHLAGE®

Strikes



Note:
Dimensions X and Y are variables,
depending on the door thickness used.



	JOB _____	TEMPLATE NO.
	DATE _____ DOOR THICKNESS _____	J459
	REMARKS _____	

10-027
 10-262
 90-042

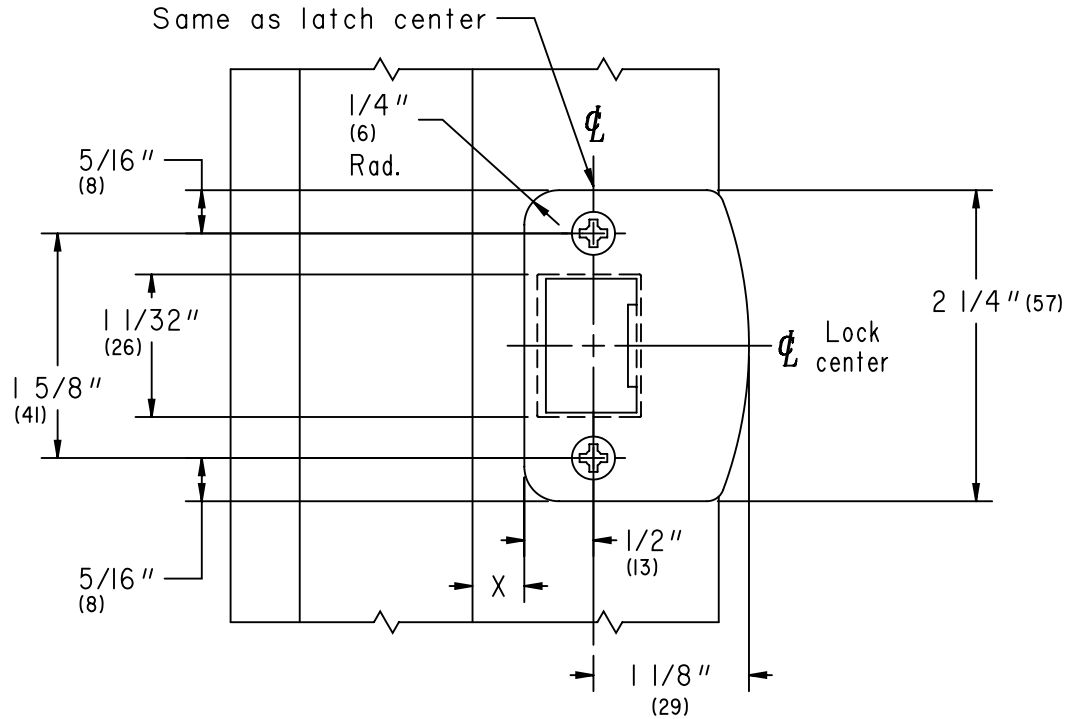
Wood jamb

Full lip, 1/4" (6) radius round corner

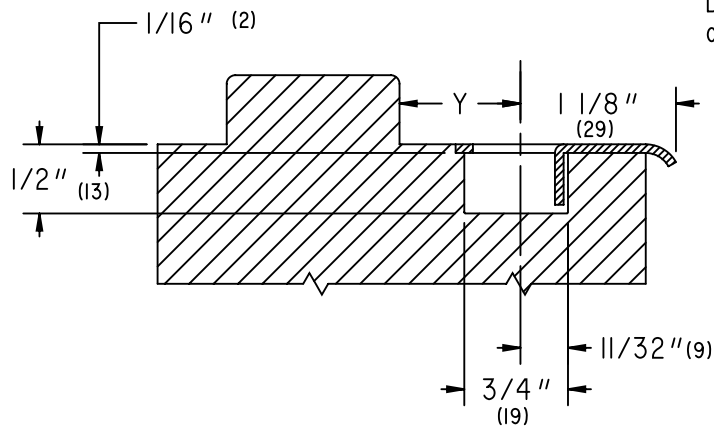
Note: Dimensions shown in parenthesis () are in millimeters.

SCHLAGE®

Strikes



Note:
 Dimensions X and Y are variables,
 depending on door thickness.



TEMPLATE NO. J460	JOB _____	
	DATE _____ DOOR THICKNESS _____	
REMARKS _____		

10-027
 10-262
 90-042

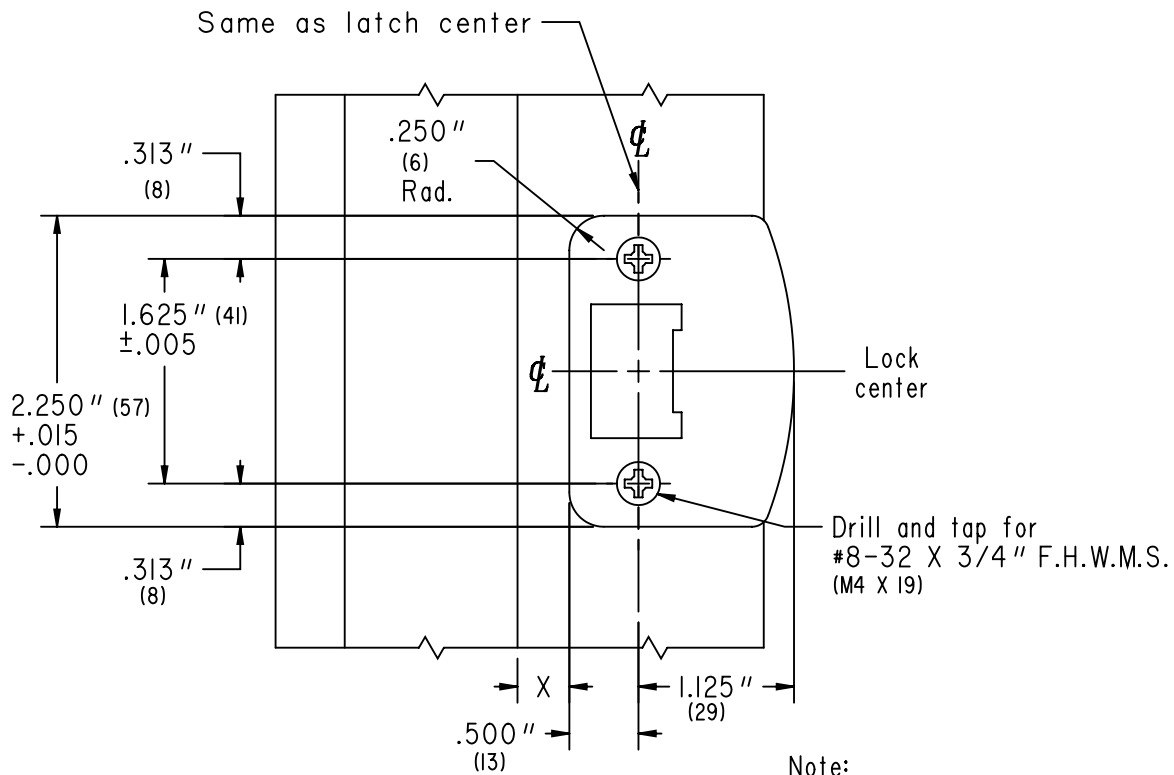
Metal jamb

Full lip, 1/4" (6) radius round corner

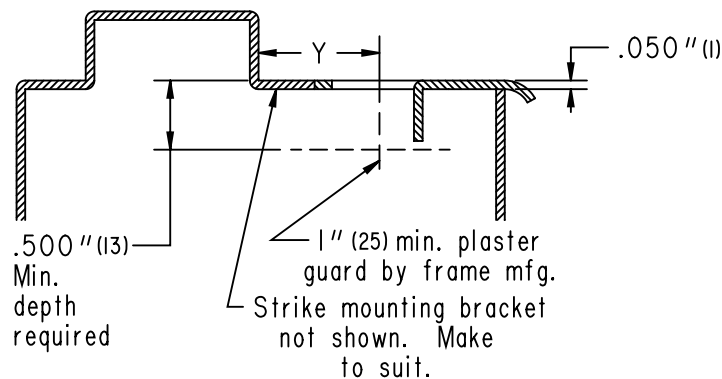
Note: Dimensions shown in parenthesis () are in millimeters.

SCHLAGE®

Strikes



Note:
 Dimensions X and Y are variables,
 depending on the door thickness used.



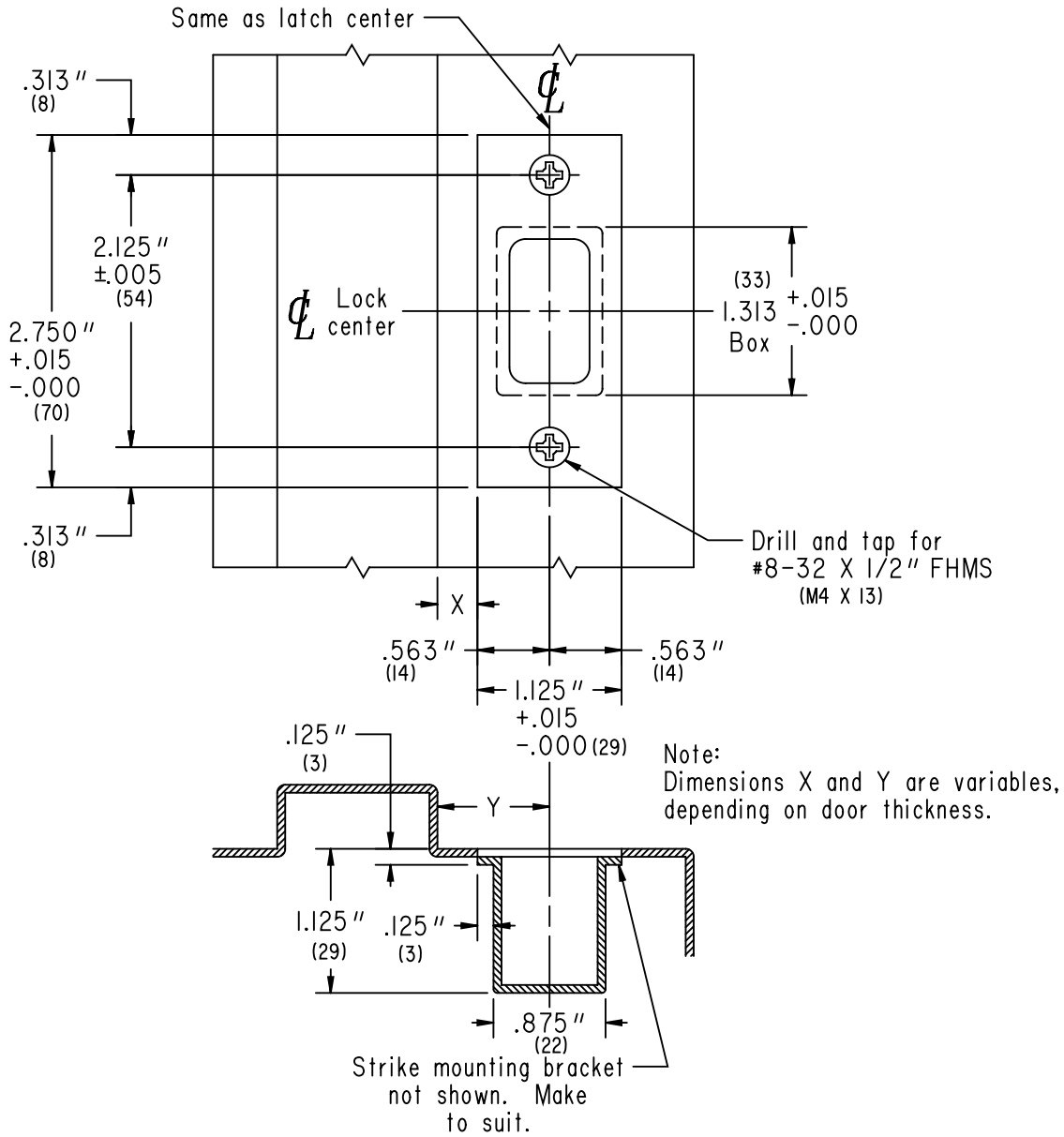
	JOB _____	TEMPLATE NO.
	DATE _____ DOOR THICKNESS _____	J461
	REMARKS _____	

10-055
10-094
90-043

Metal jamb
Deadbolt
Standard for B-Series (except B250/252 and B260/262/280).
Note: Dimensions shown in parenthesis () are in millimeters.

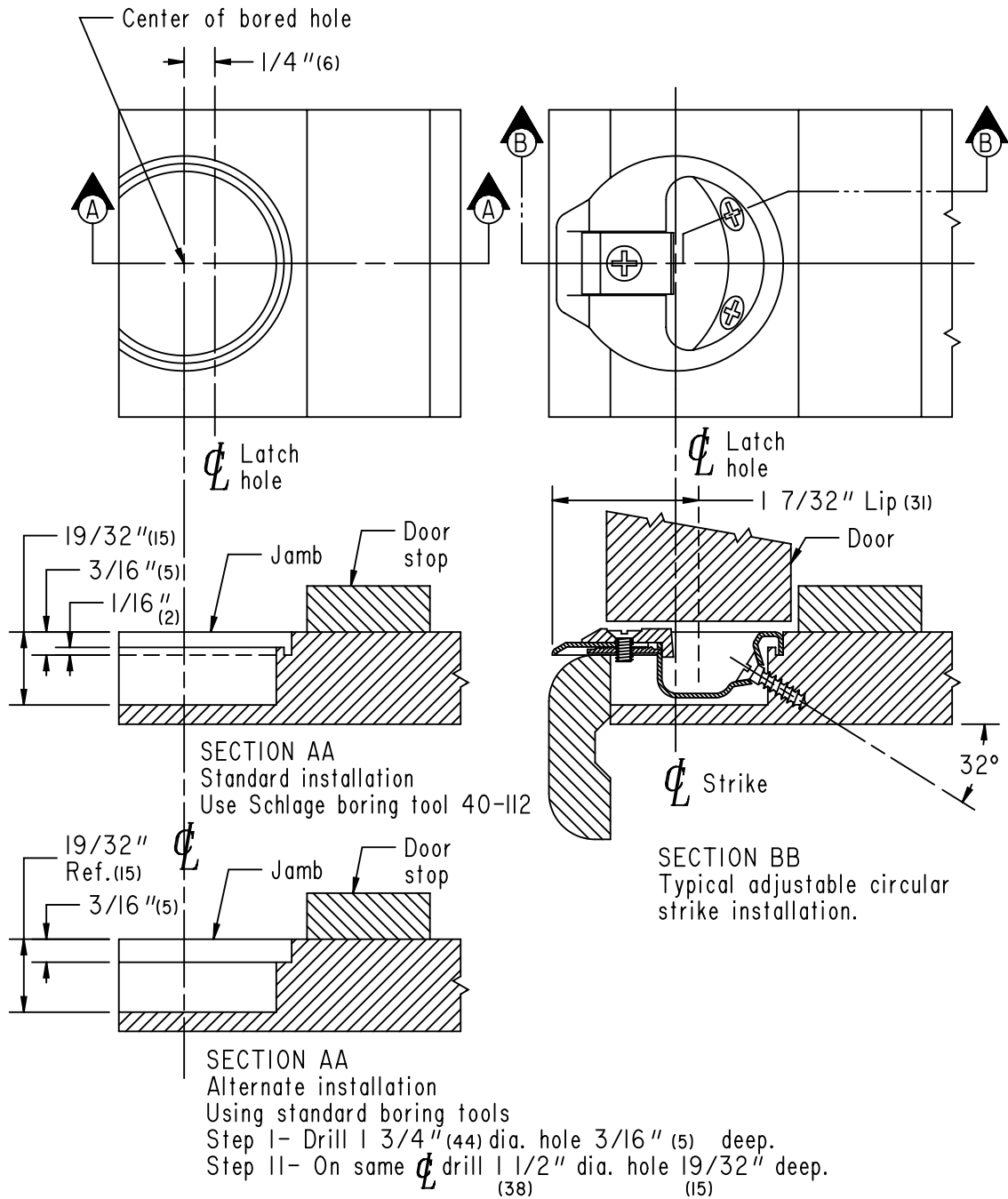
SCHLAGE®

Strikes



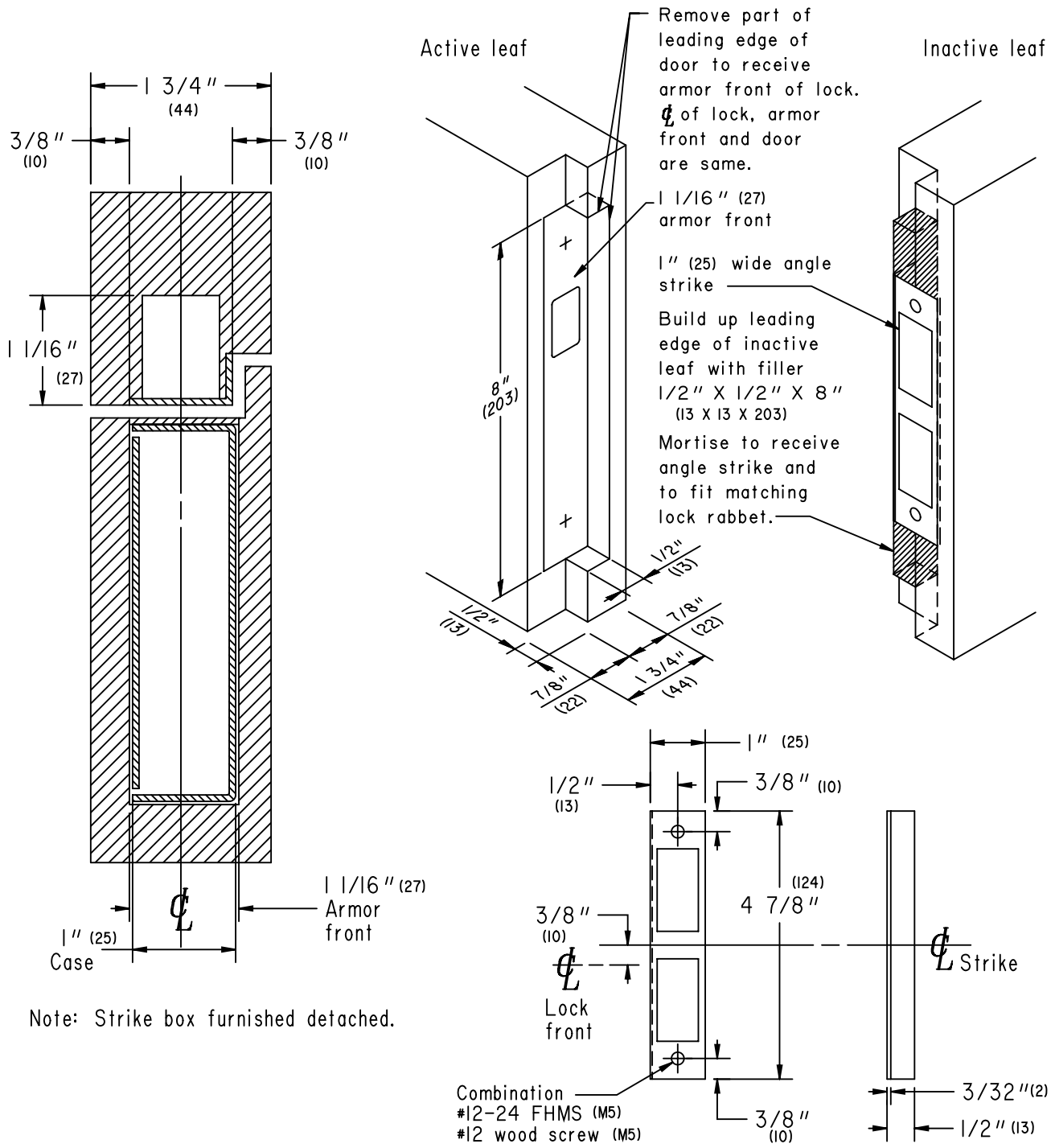
<p>TEMPLATE NO.</p> <p>J477</p>	<p>JOB _____</p> <p>DATE _____ DOOR THICKNESS _____</p> <p>REMARKS _____</p>	
--	--	--

Note: Dimensions shown in parenthesis () are in millimeters.



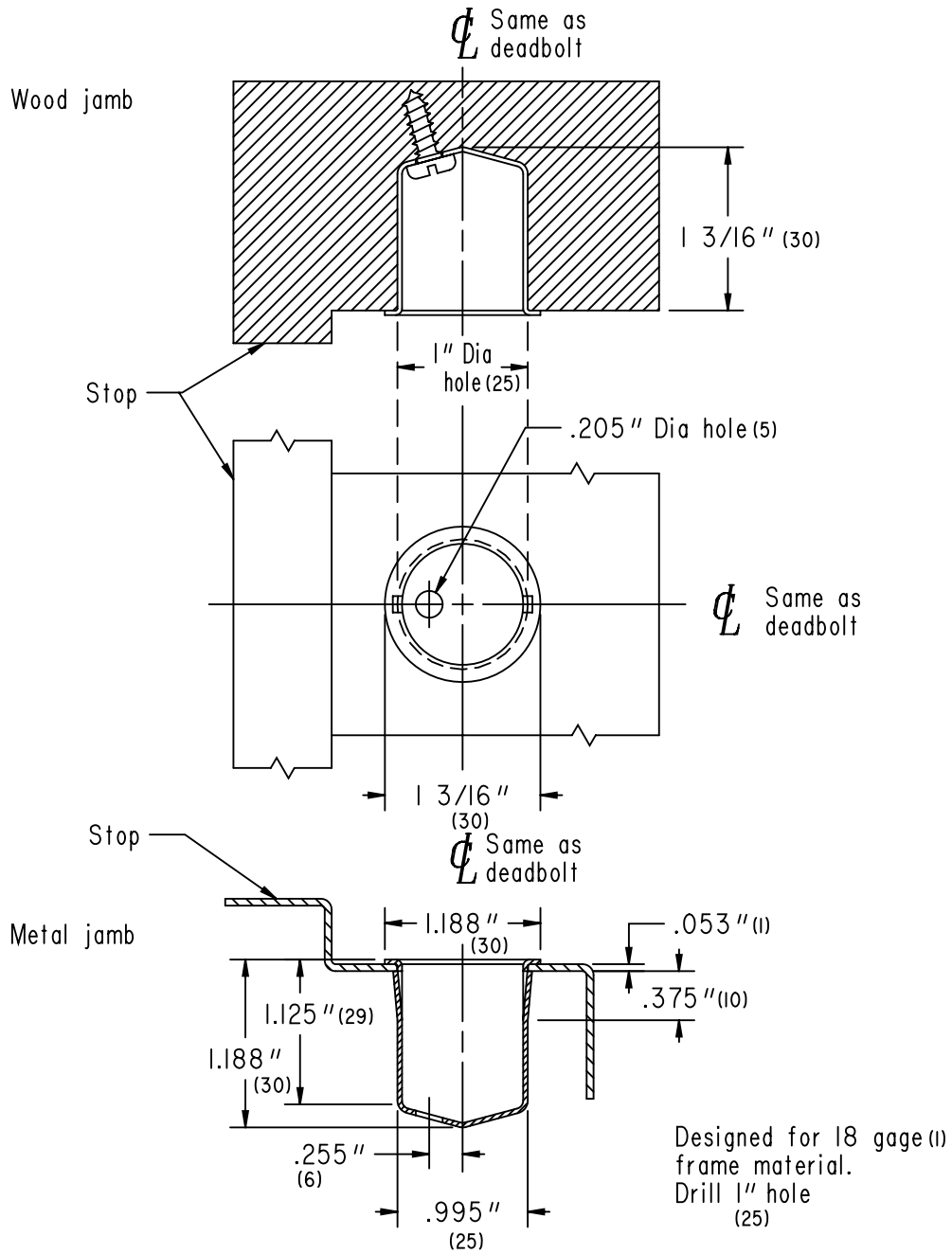
	JOB _____	TEMPLATE NO.
	DATE _____ DOOR THICKNESS _____	J478
	REMARKS _____	

Note: Dimensions shown in parenthesis () are in millimeters.

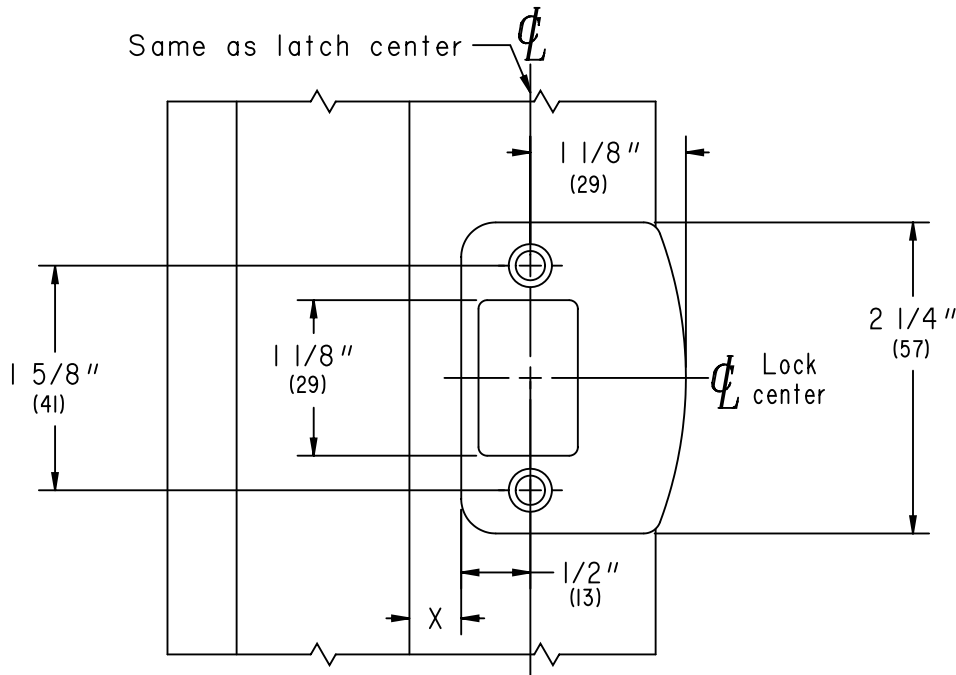


<p>TEMPLATE NO.</p> <p>J557</p>	<p>JOB _____</p> <p>DATE _____ DOOR THICKNESS _____</p> <p>REMARKS _____</p>	
--	--	--

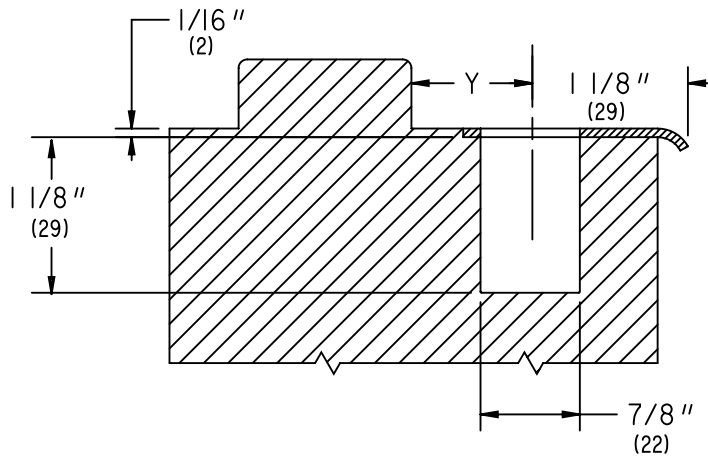
Note: Dimensions shown in parenthesis () are in millimeters.



	JOB _____	TEMPLATE NO.
	DATE _____ DOOR THICKNESS _____	J563
	REMARKS _____	



Note:
Dimensions X and Y are variables,
depending on door thickness.



TEMPLATE NO.

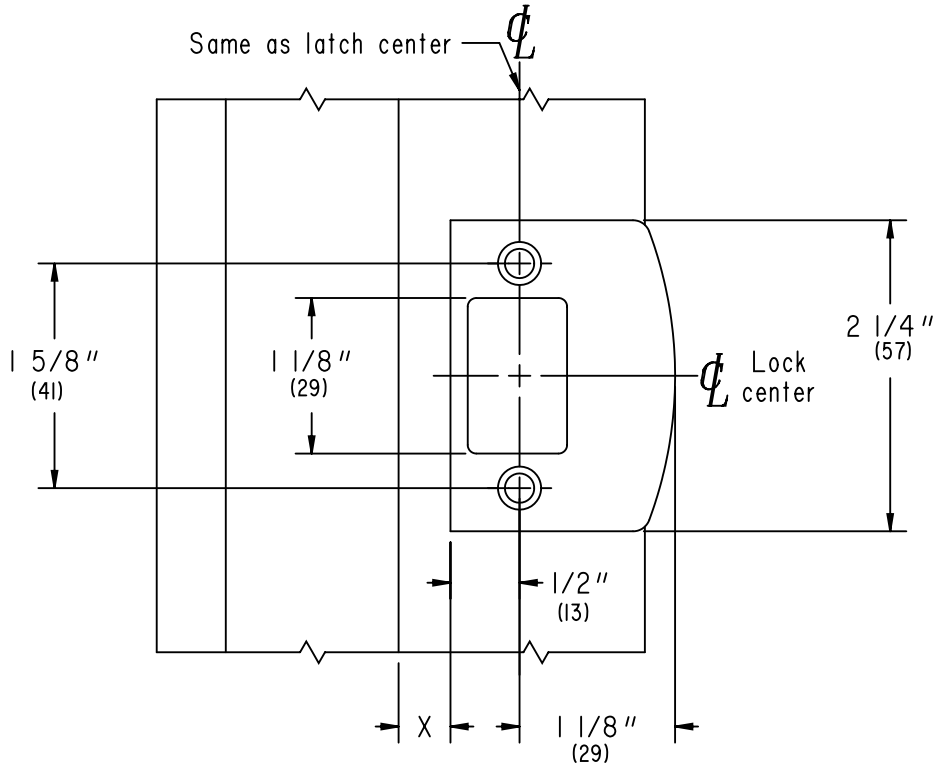
J786

JOB _____

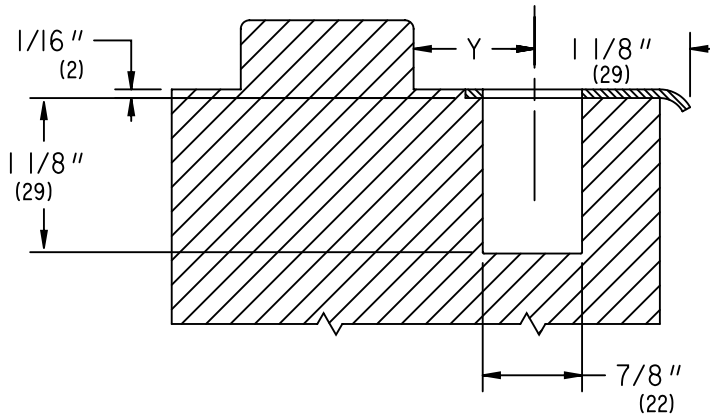
DATE _____ DOOR THICKNESS _____

REMARKS _____

Note: Dimensions shown in parenthesis () are in millimeters.



Note:
Dimensions X and Y are variables,
depending on door thickness.



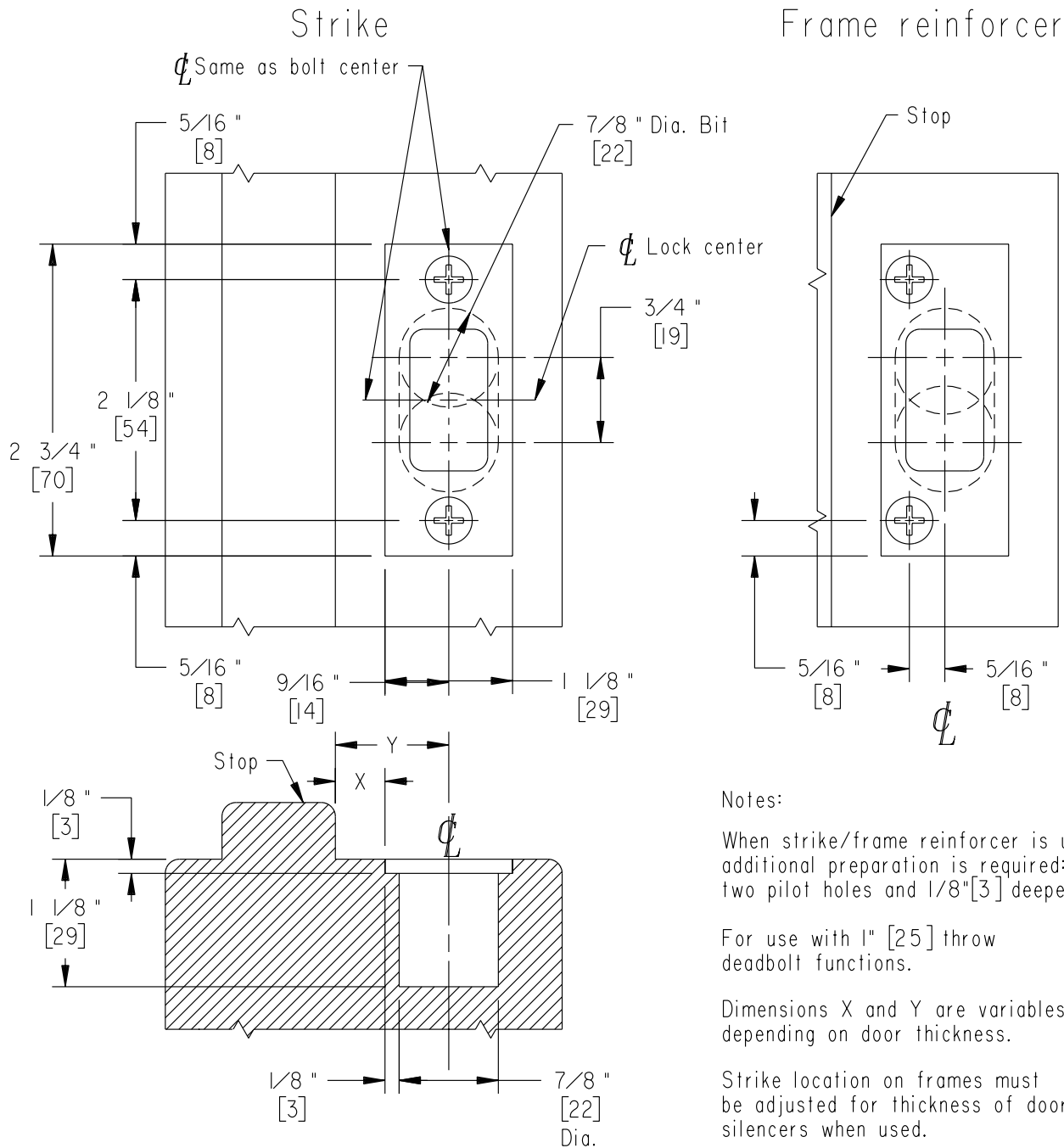
	JOB _____	TEMPLATE NO.
	DATE _____ DOOR THICKNESS _____	J787
	REMARKS _____	

10-055
10-094
90-043

Wood jamb
Deadbolt
Standard for B-Series (except B250/252 and B260/262/280).
Note: Dimensions shown in brackets [] are in millimeters.

SCHLAGE®

Strikes



TEMPLATE NO. J884	JOB _____	
	DATE _____ DOOR THICKNESS _____	
REMARKS _____		

Combination

10-252 = 10-055 x 10-026

10-254 = 10-094 x 10-026

10-263 = 10-055 x 10-261

90-040 = 90-043 x 90-041

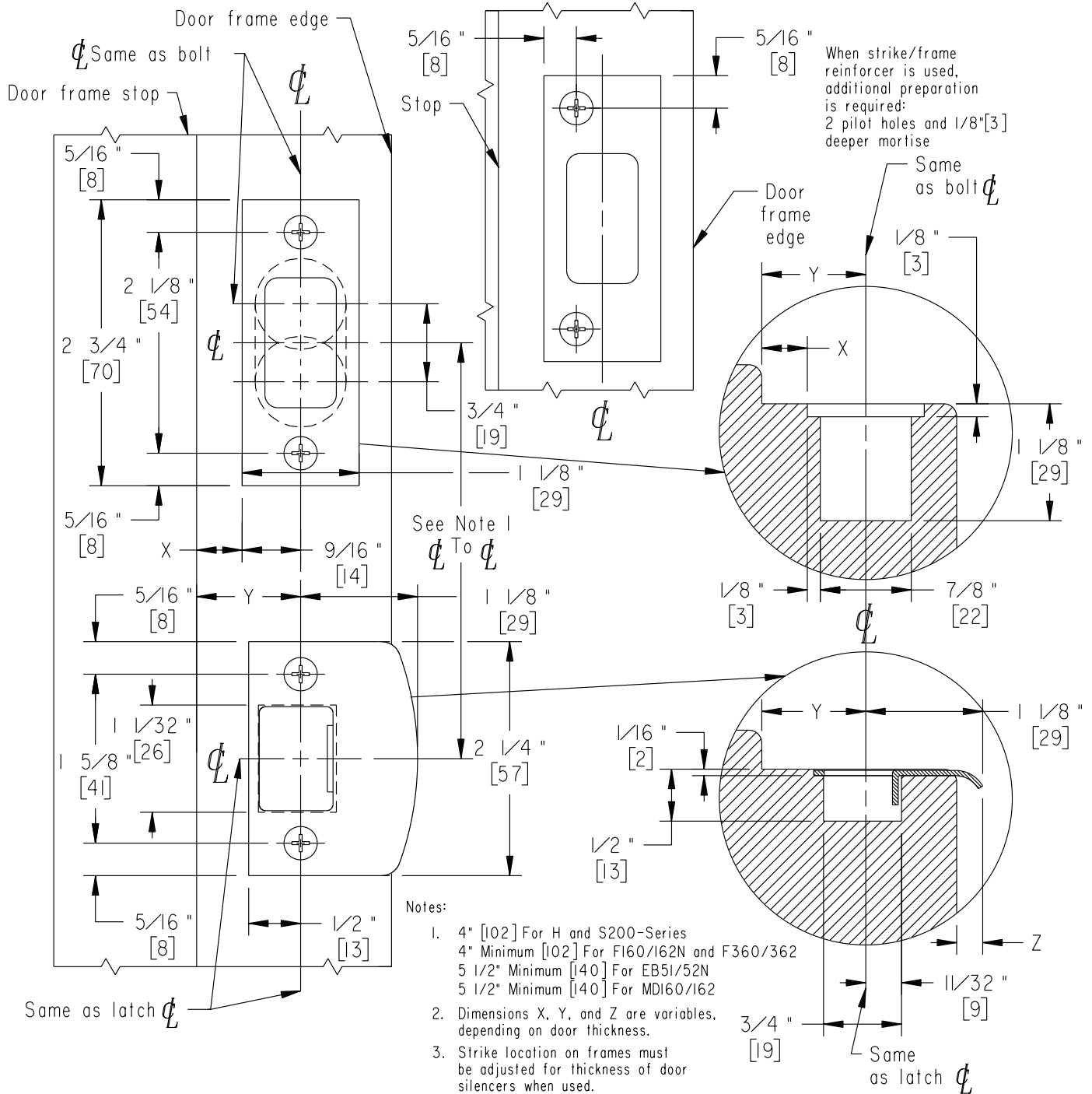
Wood jamb

The jamb preparation shown is standard for products F160/162N, F360/362, MD160/162, and EB51/52N. If strikes other than standard are furnished, use the individual upper and lower strike templates.

Note: Dimensions shown in brackets [] are in millimeters.

SCHLAGE®

Strikes



	JOB _____	TEMPLATE NO.
	DATE _____ DOOR THICKNESS _____	J905
	REMARKS _____	

Combination

- 10-252 = 10-055 x 10-026
- 10-254 = 10-094 x 10-026
- 10-263 = 10-055 x 10-261
- 90-040 = 90-043 x 90-041

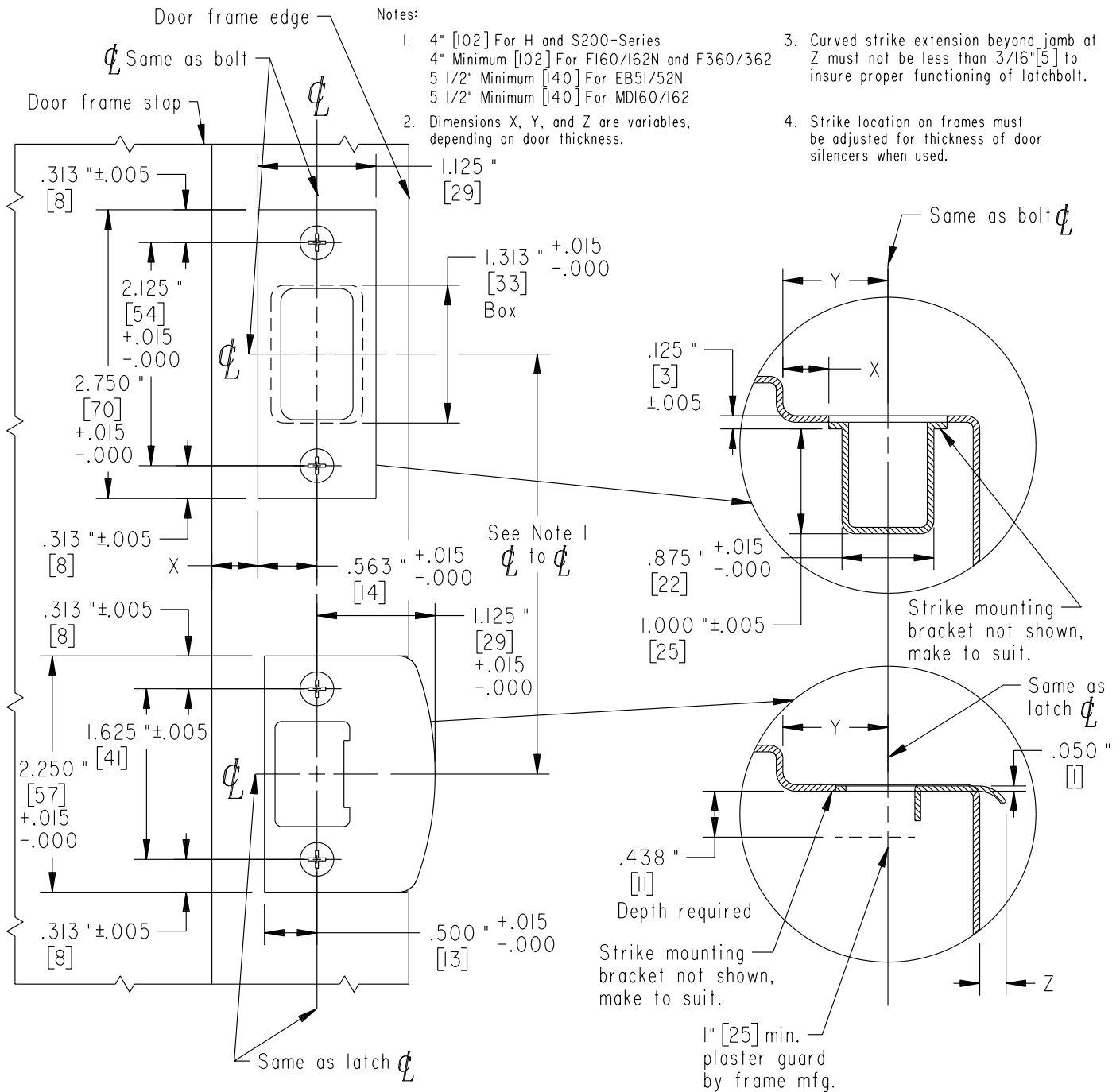
Metal jamb

The jamb preparation shown is standard for products F160/162N, F360/362, MD160/162, and EB51/52N. If strikes other than standard are furnished, use the individual upper and lower strike templates.

Note: Dimensions shown in brackets [] are in millimeters.

SCHLAGE®

Strikes



TEMPLATE NO. J906	JOB _____ DATE _____ DOOR THICKNESS _____ REMARKS _____	
---------------------------------	---	--

10-250
Combination of
10-055 & 10-001

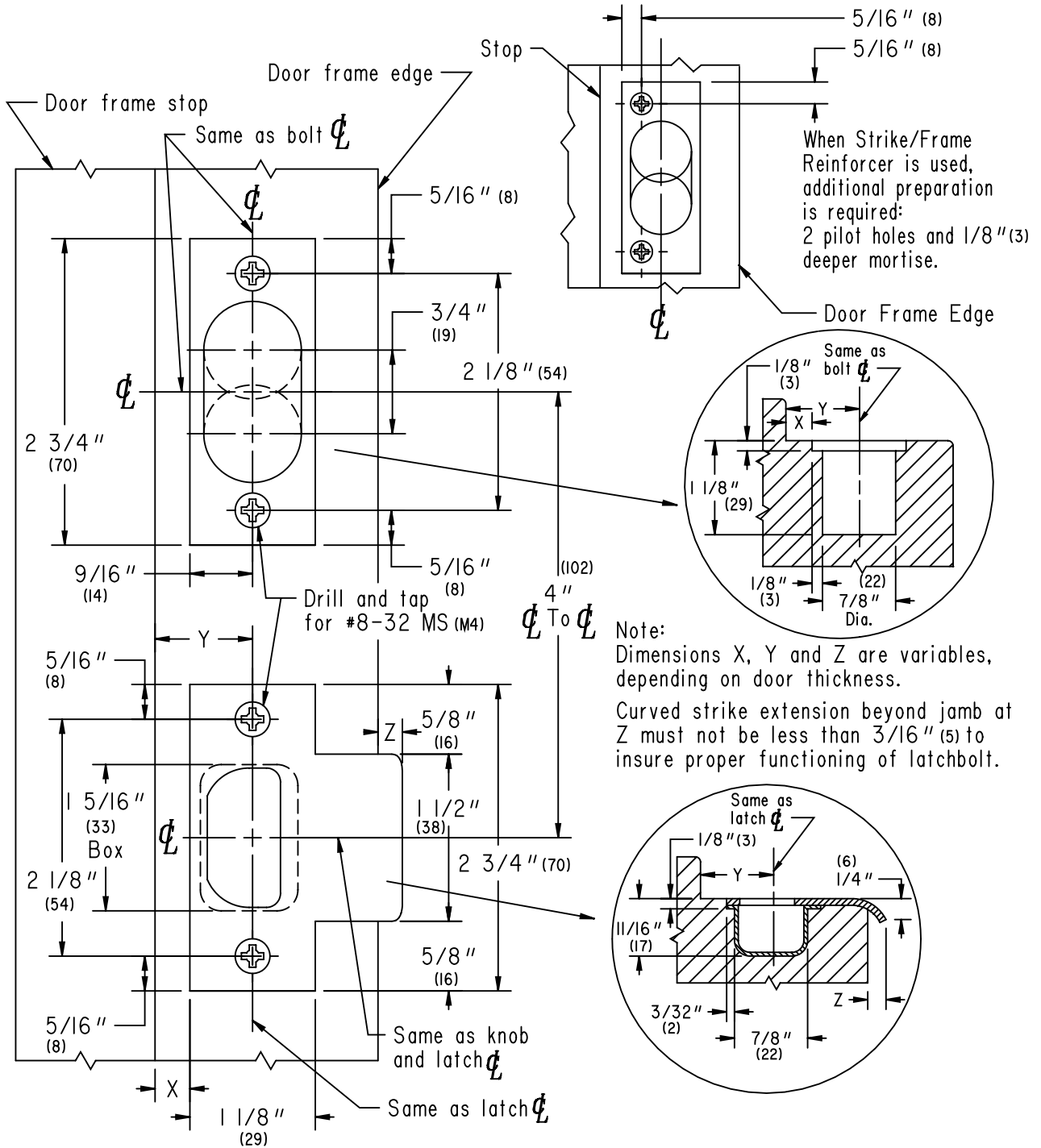
Wood jamb

The jamb preparation shown is standard for H and S200-Series.
If strikes other than standard are furnished, use the individual upper
and lower strike templates.

SCHLAGE®

Strikes

Note: Dimensions shown in parenthesis () are in millimeters.



	JOB _____	TEMPLATE NO.
	DATE _____ DOOR THICKNESS _____	J907
	REMARKS _____	

10-250
Combination of
10-055 & 10-001

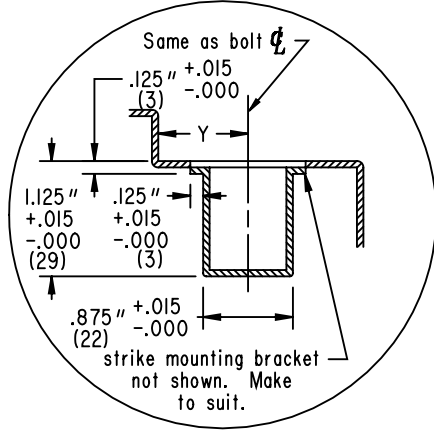
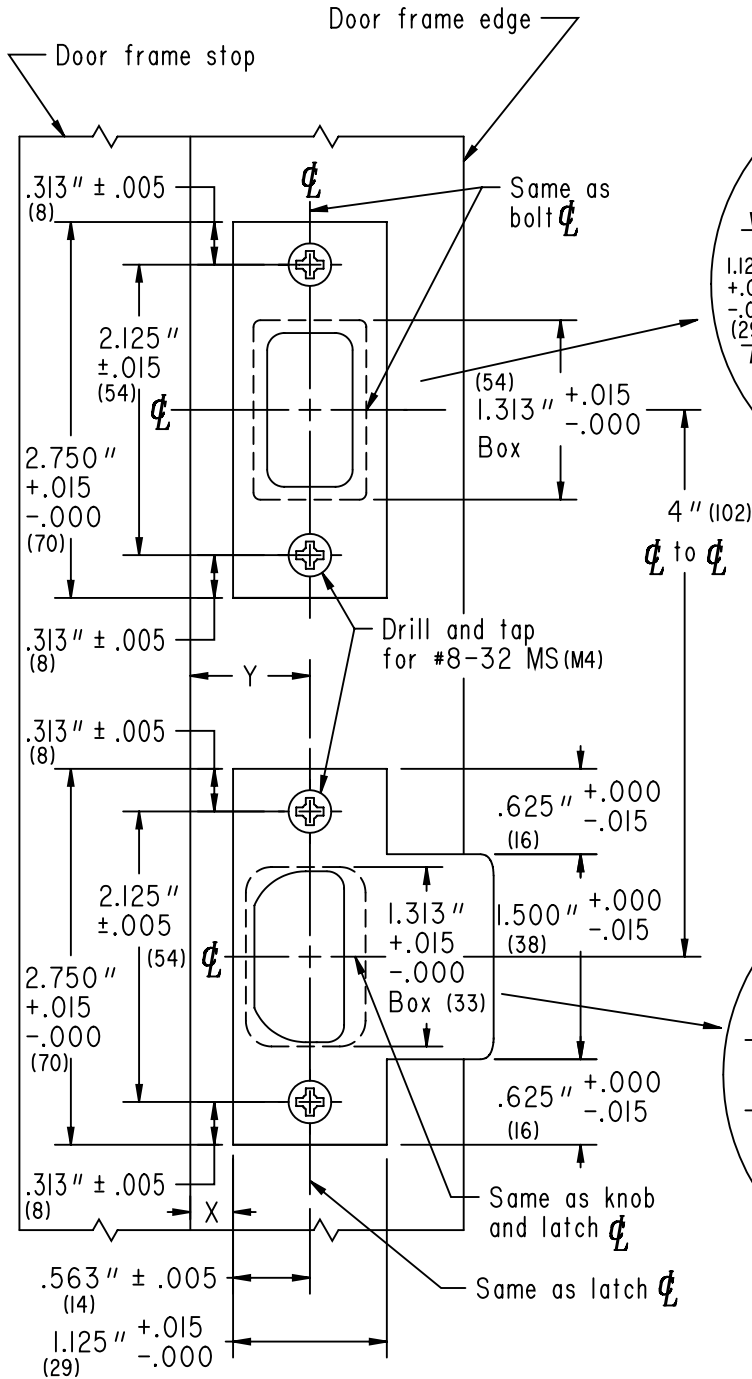
Metal jamb

The jamb preparation shown is standard for H and S200-Series.
If strikes other than standard are furnished, use the individual upper
and lower strike templates.

SCHLAGE

Strikes

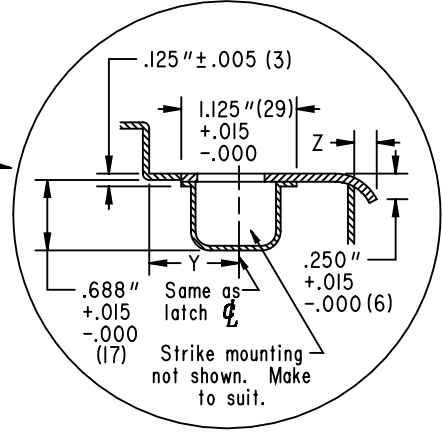
Note: Dimensions shown in parenthesis () are in millimeters.



Notes:

Dimensions X, Y and Z are variables, depending on door thickness.

Curved strike extension beyond jamb at Z must not be less than 3/16" (5) to insure proper functioning of latchbolt.



TEMPLATE NO. J908	JOB _____ DATE _____ DOOR THICKNESS _____ REMARKS _____	
---------------------------------	---	--

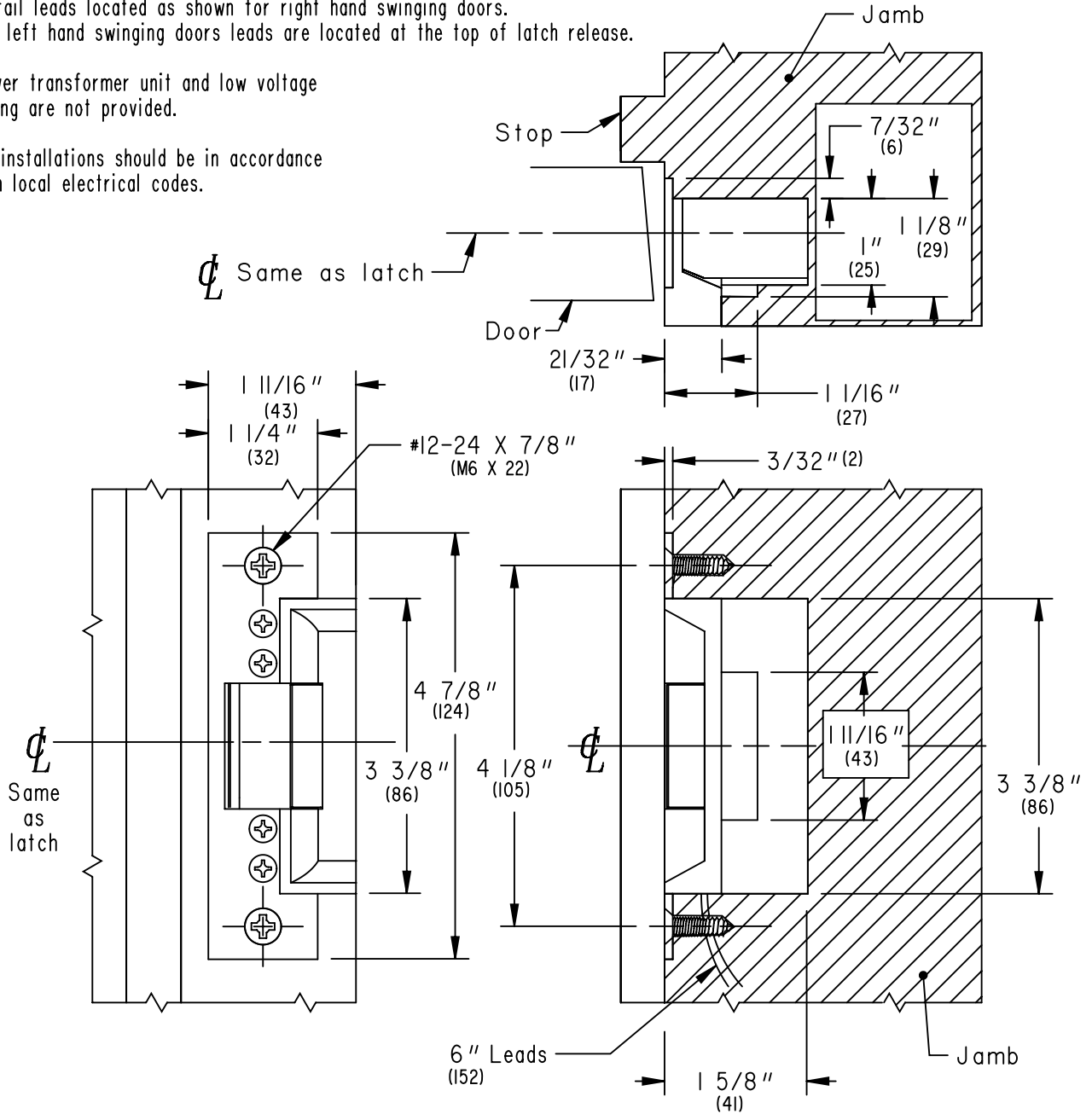
Note: Dimensions shown in parenthesis () are in millimeters.

Notes:

Provision must be made to route low voltage wire to latch release.
Attach wires to the 6-inch pigtails of the latch release.
Pigtail leads located as shown for right hand swinging doors.
For left hand swinging doors leads are located at the top of latch release.

Power transformer unit and low voltage wiring are not provided.

All installations should be in accordance with local electrical codes.



	JOB _____	TEMPLATE NO.
	DATE _____ DOOR THICKNESS _____	J911
	REMARKS _____	

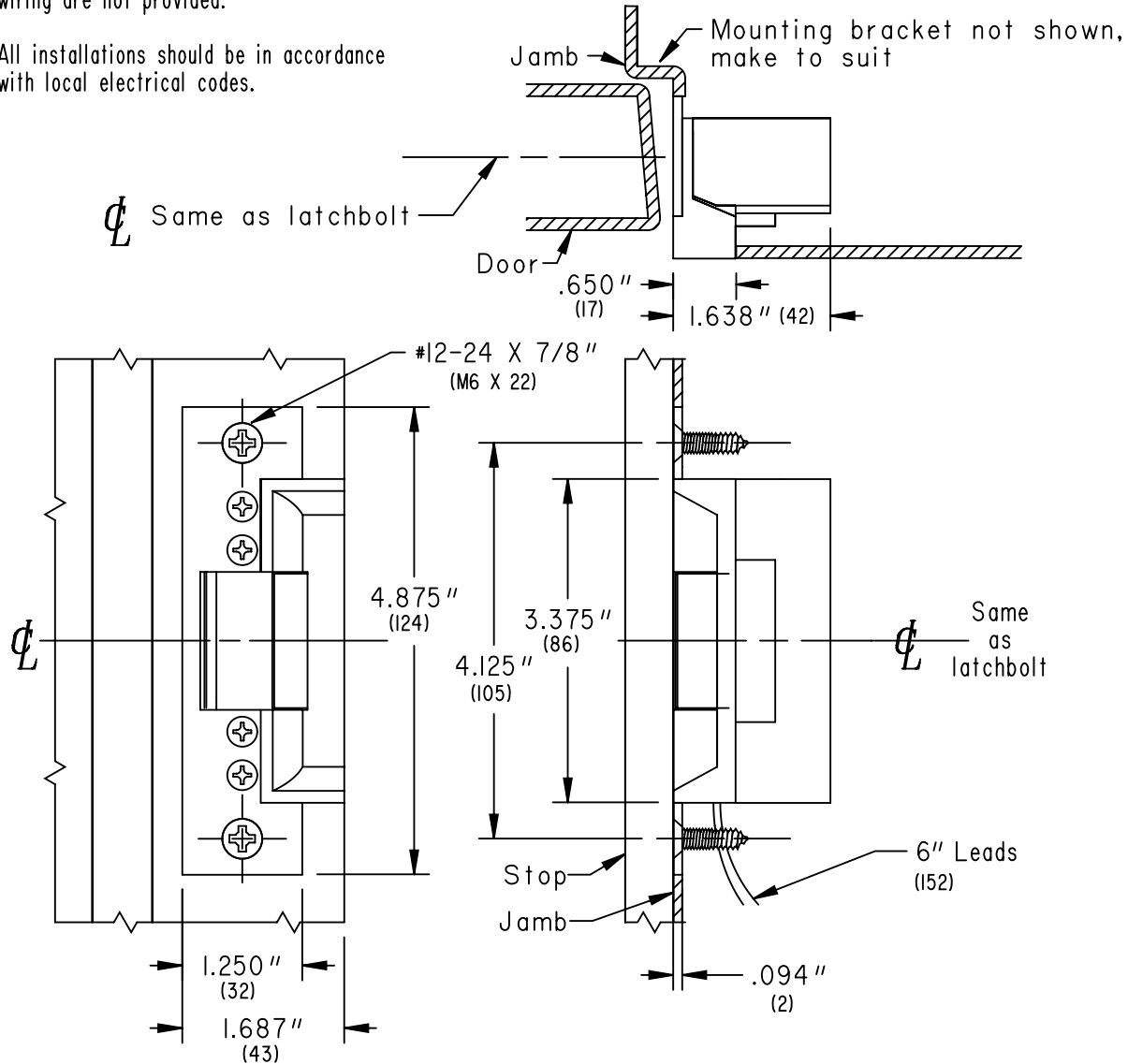
Note: Dimensions shown in parenthesis () are in millimeters.

Notes:

Provision must be made to route low voltage wire to latch release.
 Attach wires to the 6-inch pigtails of the latch release.
 Pigtail leads located as shown for right hand swinging doors.
 For left hand swinging doors leads are located at the top of latch release.

Power transformer unit and low voltage wiring are not provided.

All installations should be in accordance with local electrical codes.



TEMPLATE NO. J912	JOB _____	
	DATE _____ DOOR THICKNESS _____	
REMARKS _____		

10-091

Wood and metal doors

Mortise, armor front strike (handed for inactive door)
This product to be substituted for blank armor front on L9175 or L9176.
See L9175 or L9176 templates for trim hole locations.

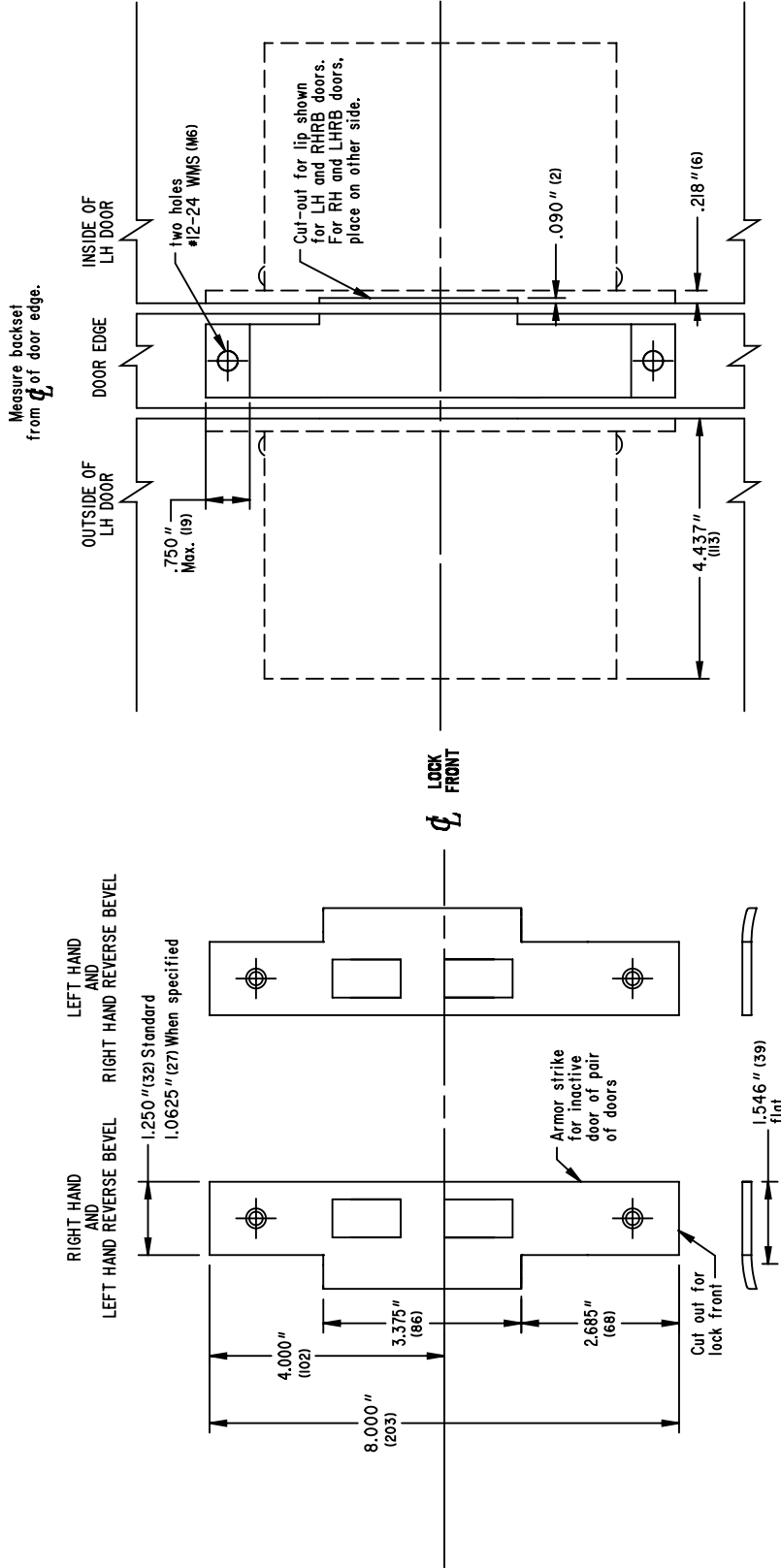
Note: Dimensions shown in parenthesis () are in millimeters.

SCHLAGE®

Strikes

10-091 DETAIL

DOOR DETAIL



Lock case cavity and strike shown for dimensions only.
Prepare door cut-outs as indicated under DOOR DETAIL.
Dimensions shown are maximum for this product.

TEMPLATE NO.
J913

TEMPLATE NO.
J913

JOB _____

DATE _____ DOOR THICKNESS _____

REMARKS _____

INGERSOLL-RAND
ARCHITECTURAL HARDWARE

Combination
 10-257 =
 10-092 x 10-027
 10-264 =
 10-266 x 10-262

Wood jamb

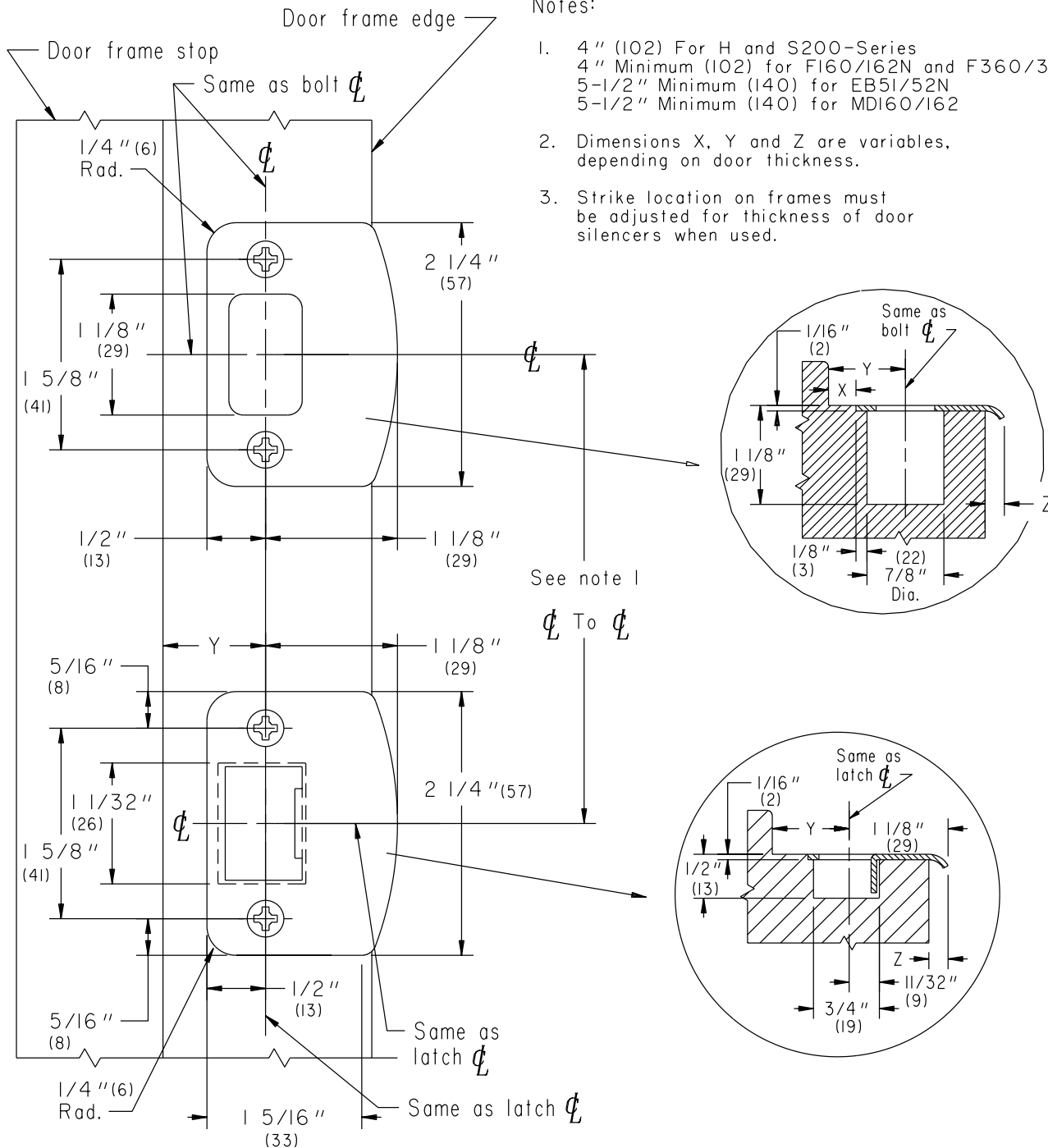
SCHLAGE®

Strikes

Note: Dimensions shown in parenthesis () are in millimeters.

Notes:

- 4" (102) For H and S200-Series
 4" Minimum (102) for F160/162N and F360/362
 5-1/2" Minimum (140) for EB51/52N
 5-1/2" Minimum (140) for MDI60/162
- Dimensions X, Y and Z are variables, depending on door thickness.
- Strike location on frames must be adjusted for thickness of door silencers when used.



TEMPLATE NO. J914	JOB _____	
	DATE _____ DOOR THICKNESS _____	
REMARKS _____		

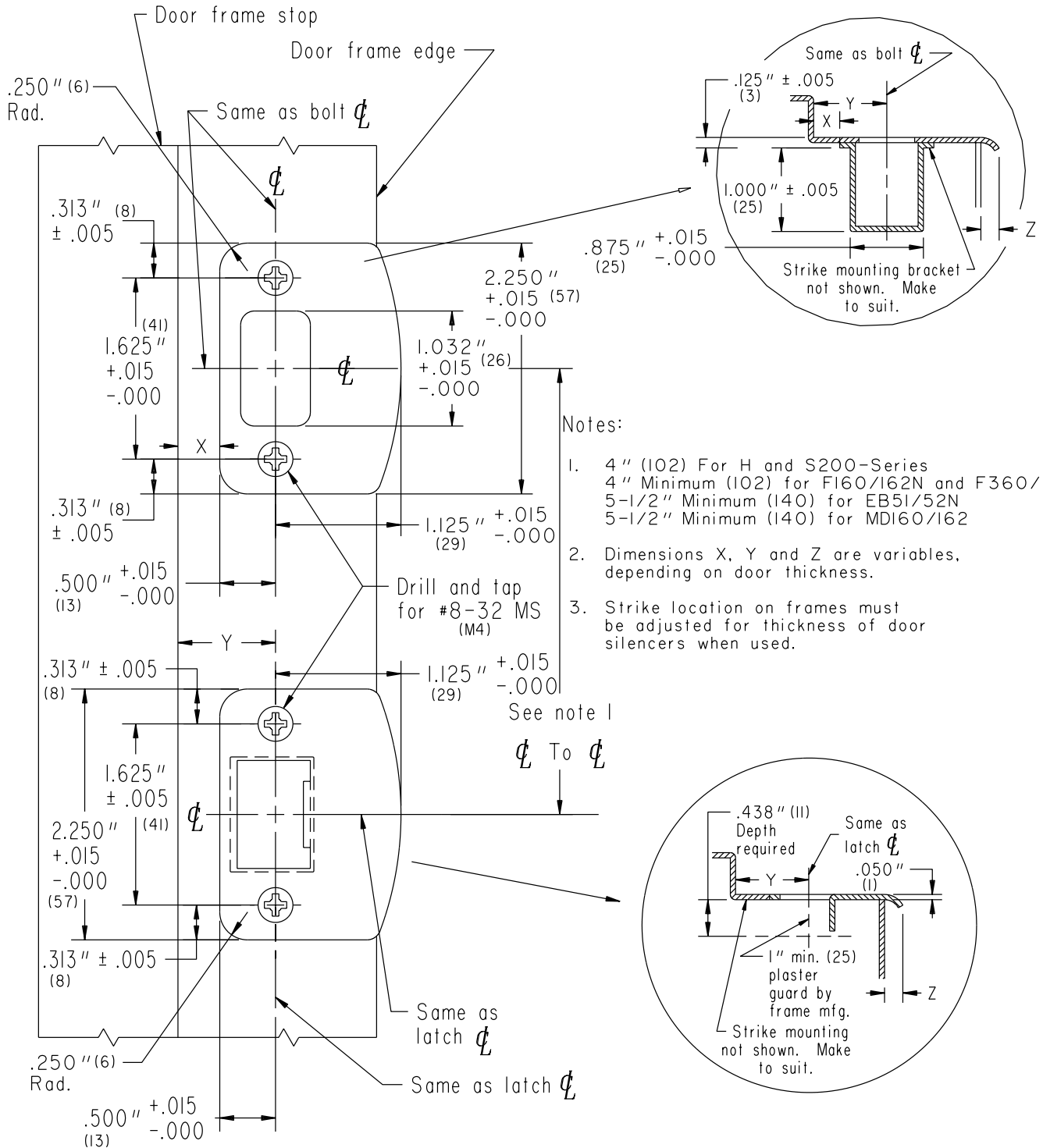
Combination
 10-257 =
 10-092 x 10-027
 10-264 =
 10-266 x 10-262

Metal jamb

SCHLAGE®

Note: Dimensions shown in parenthesis () are in millimeters.

Strikes



Notes:

- 4" (102) For H and S200-Series
 4" Minimum (102) for F160/162N and F360/362
 5-1/2" Minimum (140) for EB51/52N
 5-1/2" Minimum (140) for MDI60/162
- Dimensions X, Y and Z are variables, depending on door thickness.
- Strike location on frames must be adjusted for thickness of door silencers when used.

	JOB _____	TEMPLATE NO.
	DATE _____ DOOR THICKNESS _____	J915
	REMARKS _____	

Combination
10-255 =
10-055 x 10-027

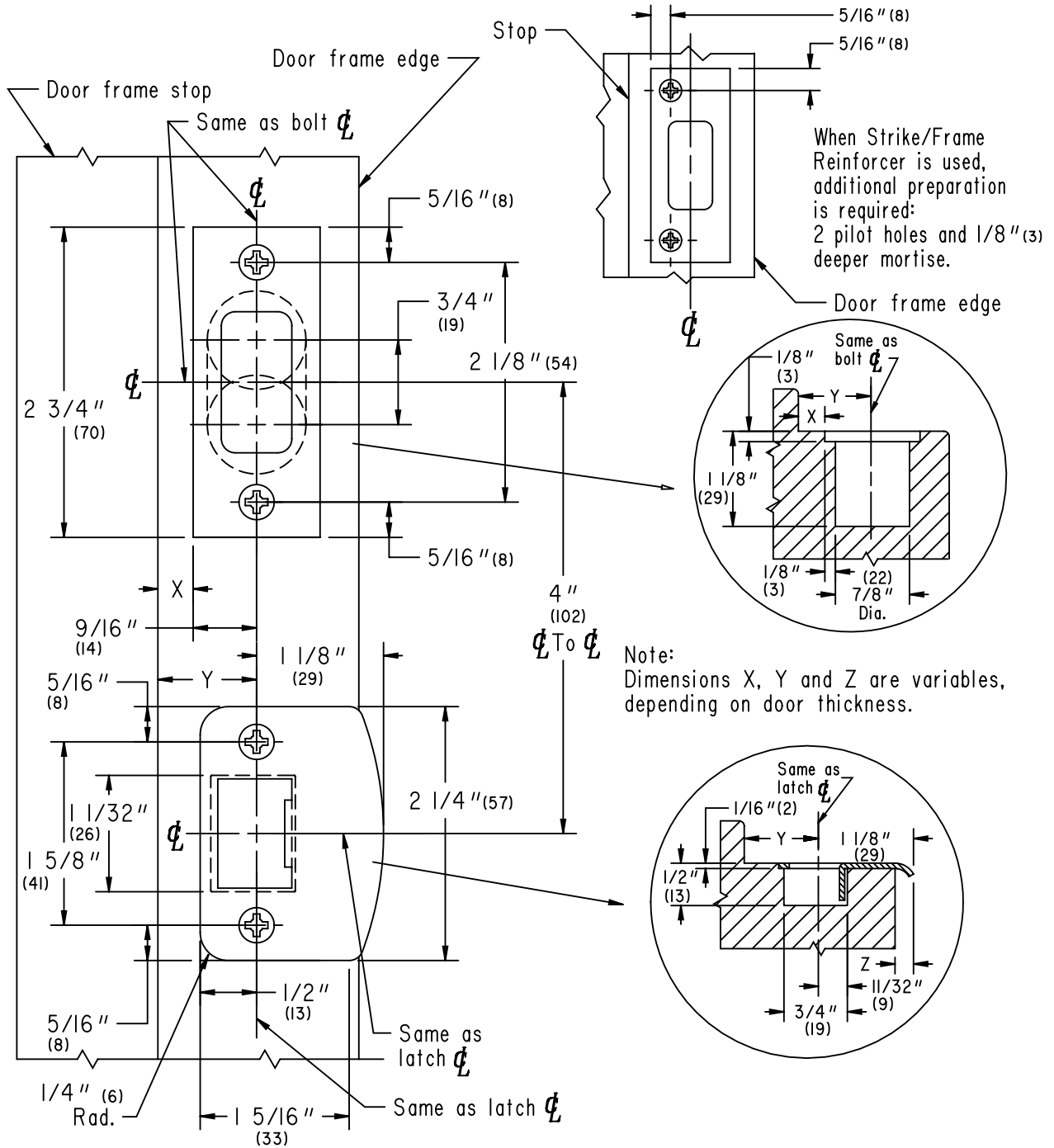
Wood jamb

The jamb preparation shown is for F160/162N, F360/362,
H, and S200-Series.

Note: Dimensions shown in parenthesis () are in millimeters.

SCHLAGE®

Strikes



TEMPLATE NO.

J916

JOB _____

DATE _____ DOOR THICKNESS _____

REMARKS _____

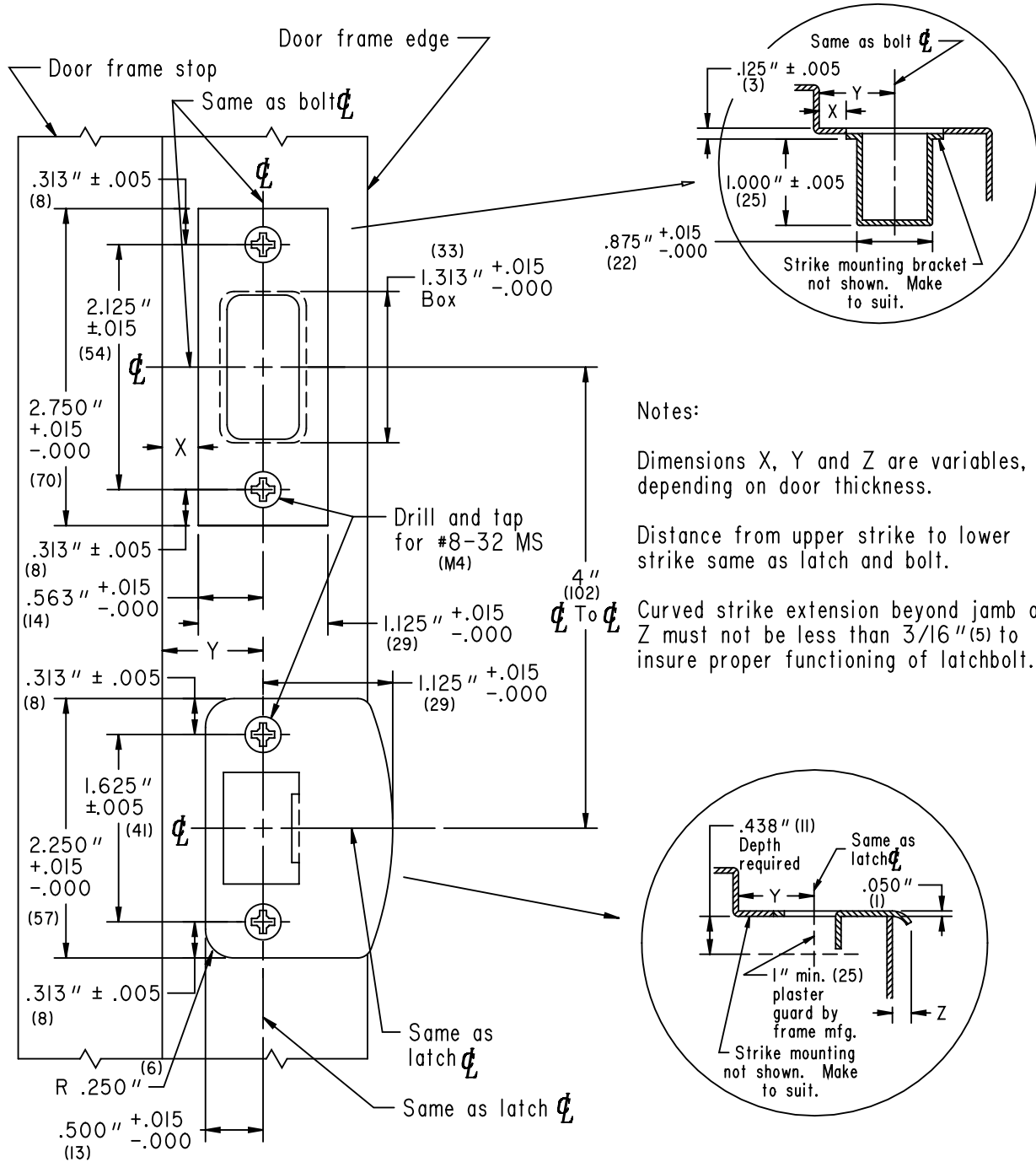
Combination
10-255 =
10-055 x 10-027

Metal jamb
The jamb preparation shown is for F160/162N, F360/362,
H, and S200-Series.

SCHLAGE®

Strikes

Note: Dimensions shown in parenthesis () are in millimeters.



	JOB _____	TEMPLATE NO.
	DATE _____ DOOR THICKNESS _____	J917
	REMARKS _____	

10-025
10-072
10-087

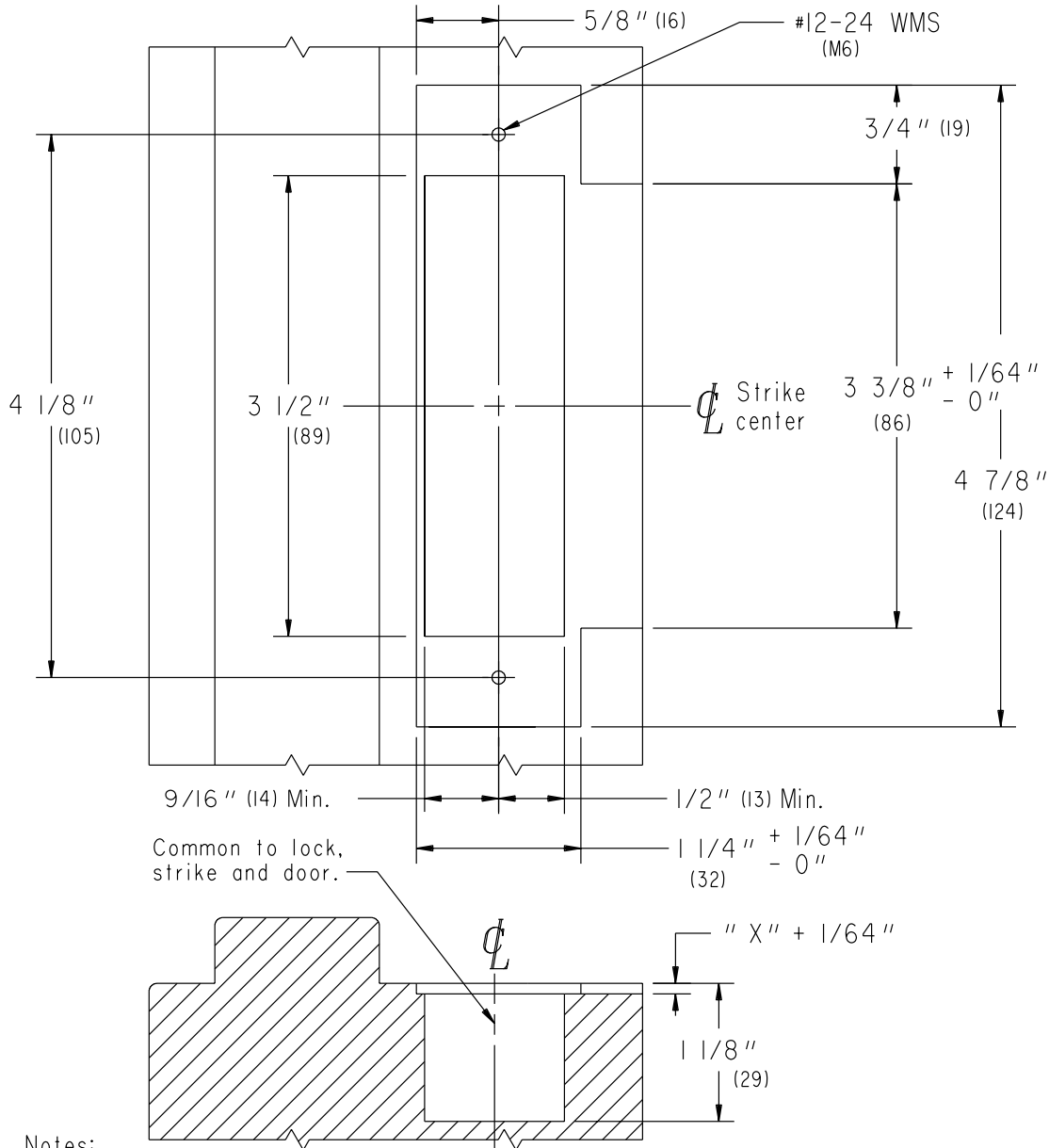
Wood jamb

ANSI standard A115 for 1 1/4" (44) doors
10-025 Standard for AL, D and DE-Series
10-072 Standard for L9000-Series (except deadbolts), LE-Series and ME9453

SCHLAGE®

Strikes

Note: Dimensions shown in parenthesis () are in millimeters.



Notes:

Dimension "X" - 10-025 3/32" (2) when strike box not specified.

10-072 and 10-087 5/32" (4), for strike box, detached.

When reinforcement plate is specified, mortise additional 1/8" (3) to Dim "X".

Strike location on frames must be adjusted for thickness of door silencers when used.

<p>TEMPLATE NO. J918</p>	<p>JOB _____ DATE _____ DOOR THICKNESS _____ REMARKS _____</p>	
-------------------------------------	--	--

10-025
10-072
10-087

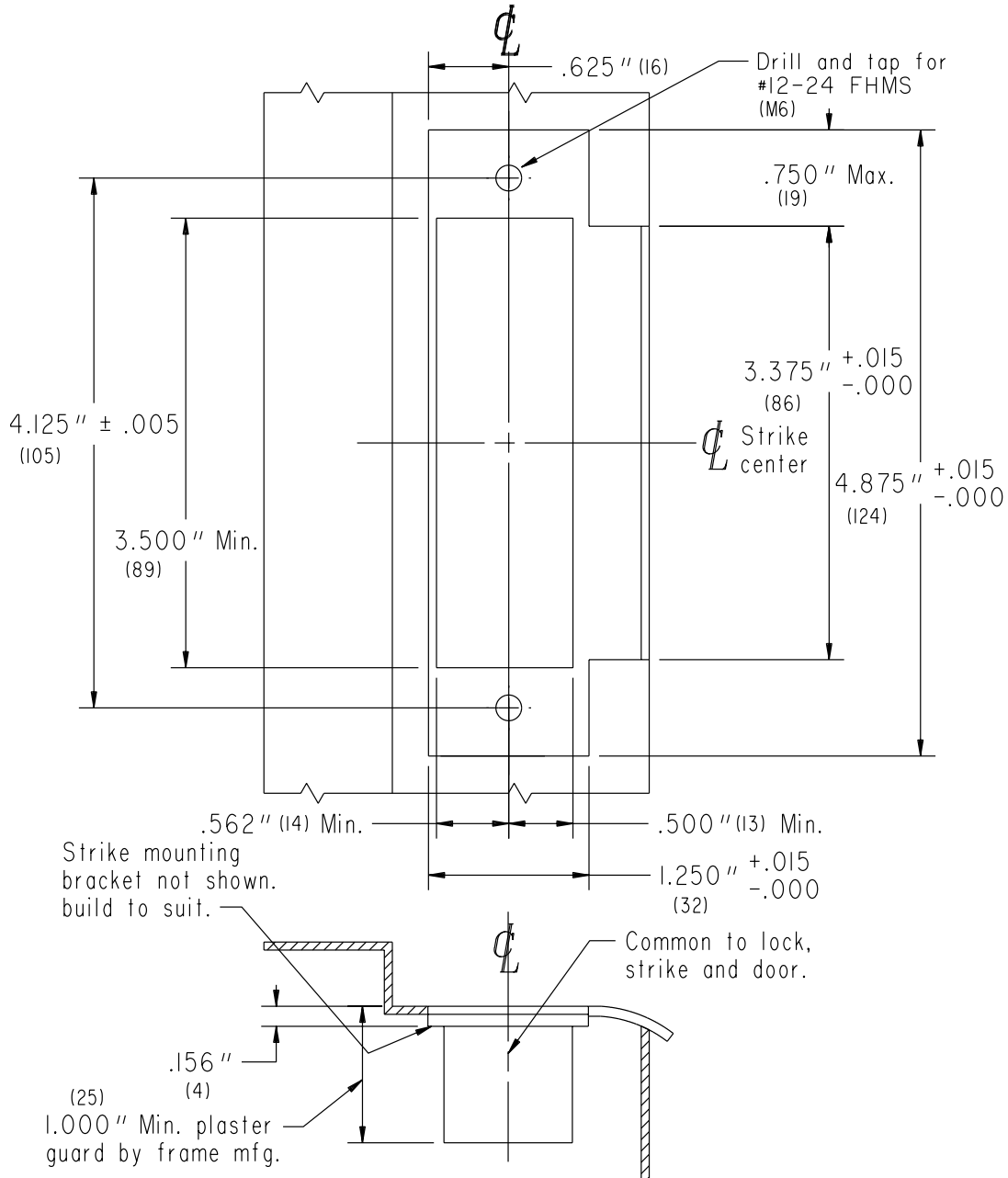
Metal jamb

ANSI standard A115 for 1 1/4" (44) doors
10-025 Standard for AL, D and DE-Series
10-072 Standard for L9000-Series (except deadbolts), LE-Series and ME9453

SCHLAGE®

Strikes

Note: Dimensions shown in parenthesis () are in millimeters.



Notes:

Strike box detached for 10-072 and 10-087 but not required as plaster guard is furnished by frame mfg.

Strike location on frames must be adjusted for thickness of door silencers when used.

	JOB _____	TEMPLATE NO.
	DATE _____ DOOR THICKNESS _____	J919
	REMARKS _____	

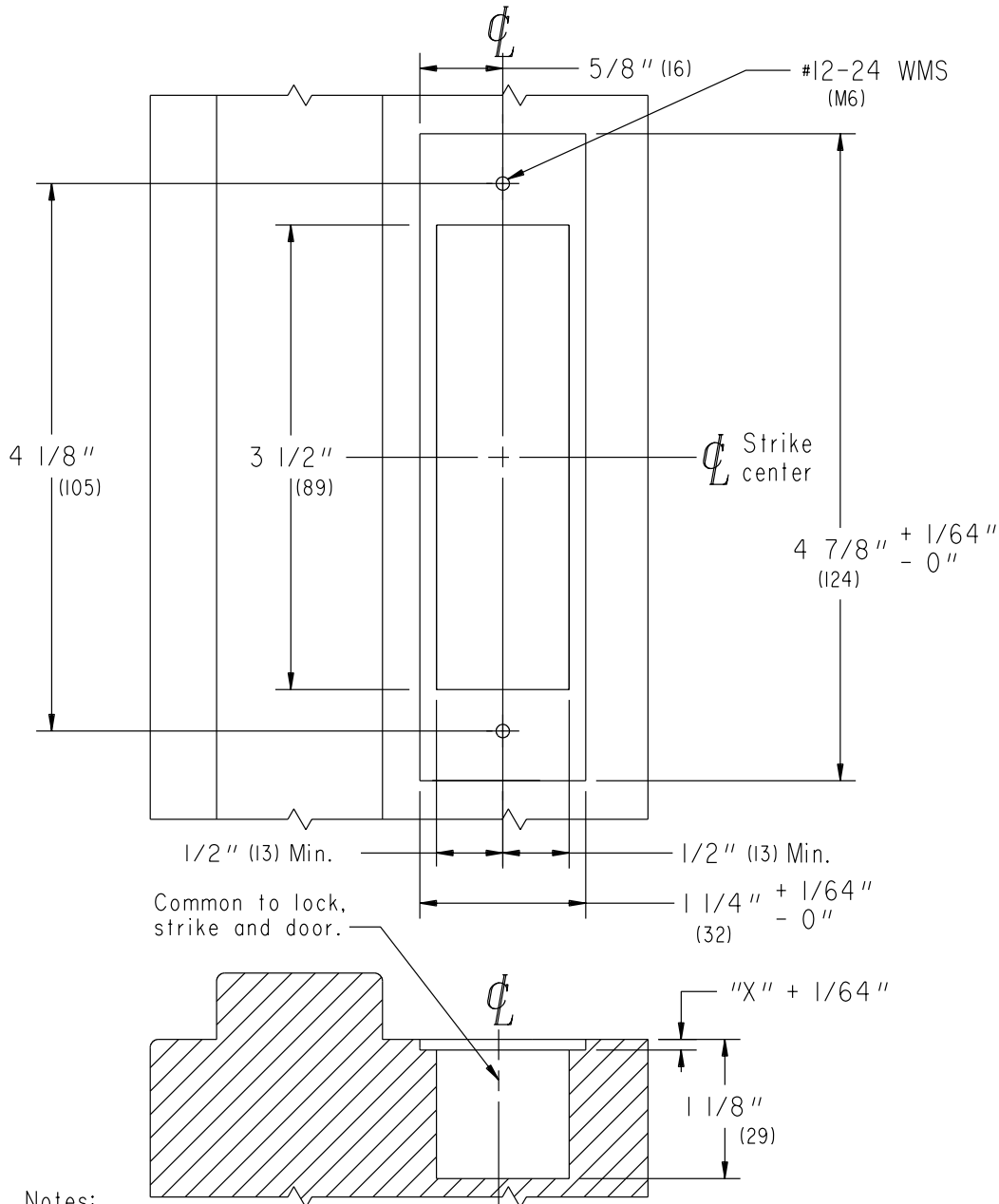
10-073
10-078

Wood jamb
Mortise deadbolt, no lip
Standard for L9460, L9462, L9463, L9464

SCHLAGE®

Strikes

Note: Dimensions shown in parenthesis () are in millimeters.



Notes:

Dimension "X" - 5/32" (4), for strike box, detached.

When reinforcement plate is specified, mortise additional 1/8" (3) to Dim "X".

Strike location on frames must be adjusted for thickness of door silencers when used.

TEMPLATE NO. J920	JOB _____	
	DATE _____ DOOR THICKNESS _____	
REMARKS _____		

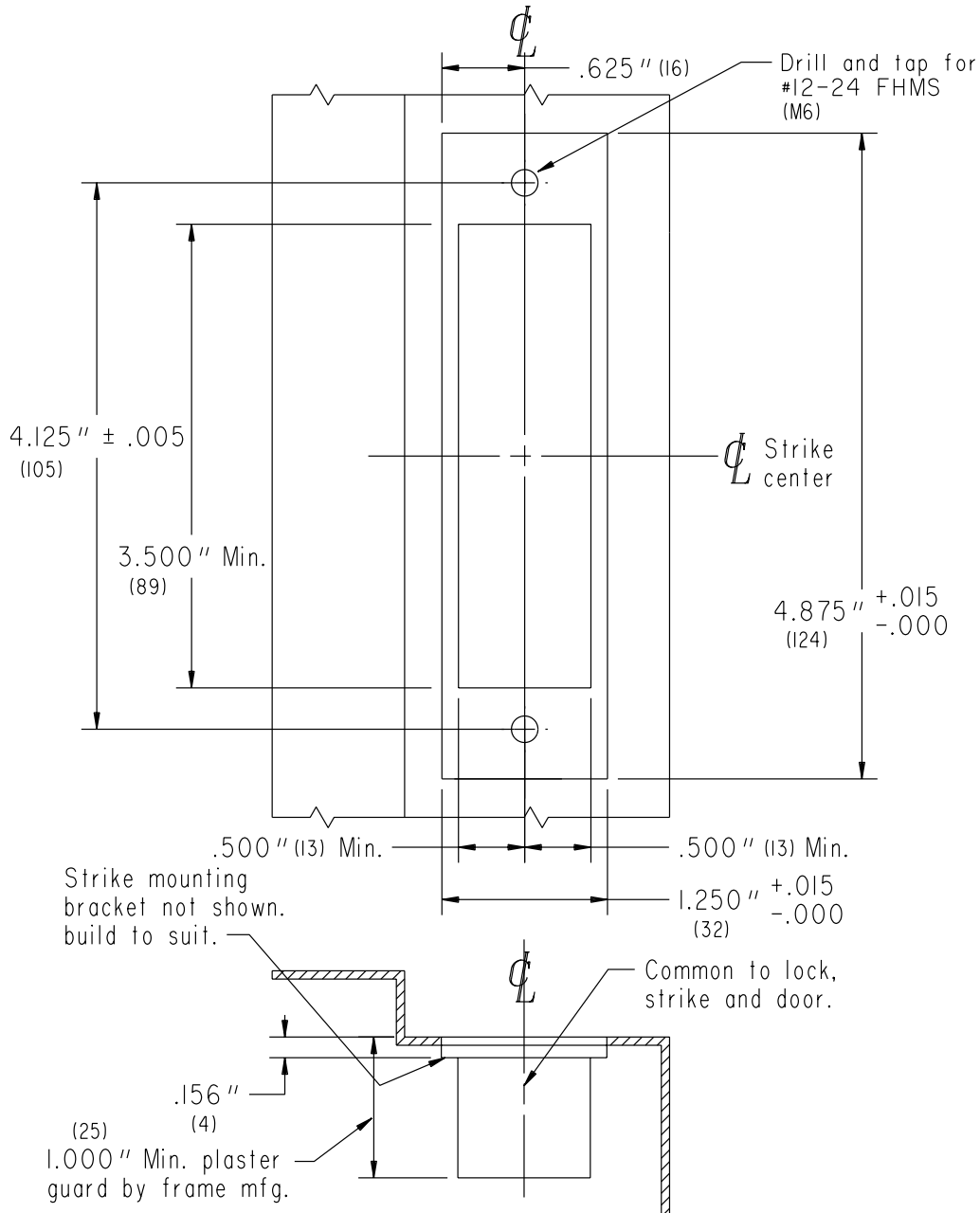
10-073
10-078

Metal jamb
Mortise deadbolt, no lip
Standard for L9460, L9462, L9463, L9464

SCHLAGE®

Strikes

Note: Dimensions shown in parenthesis () are in millimeters.



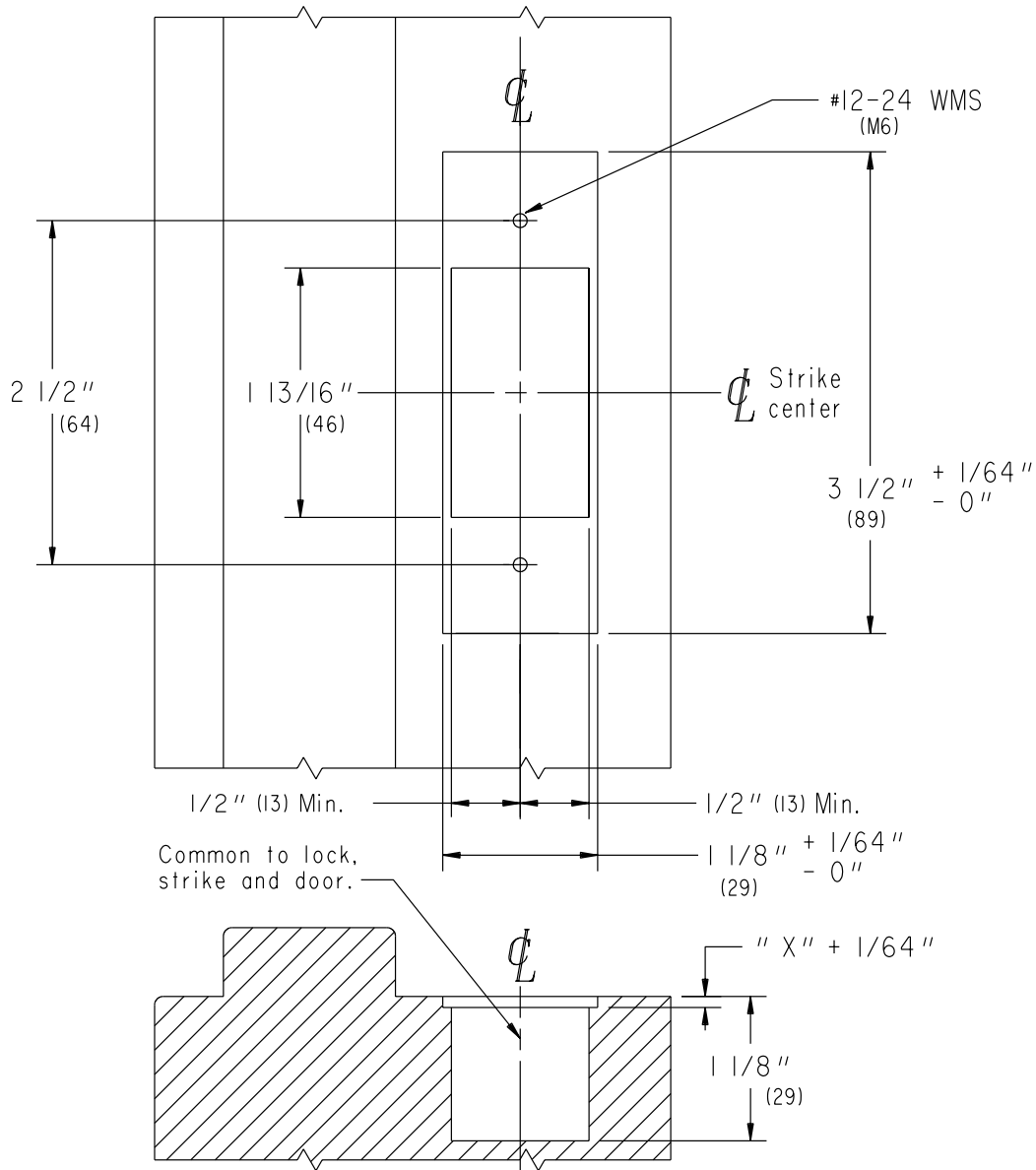
Notes:

- Strike box detached, but not required as plaster guard is furnished by frame mfg.
- Strike location on frames must be adjusted for thickness of door silencers when used.

	JOB _____	TEMPLATE NO.
	DATE _____ DOOR THICKNESS _____	J921
	REMARKS _____	

Wood jamb
 Mortise deadbolt, no lip
 Standard for L460, L462, L463, L464, L480

Note: Dimensions shown in parenthesis () are in millimeters.

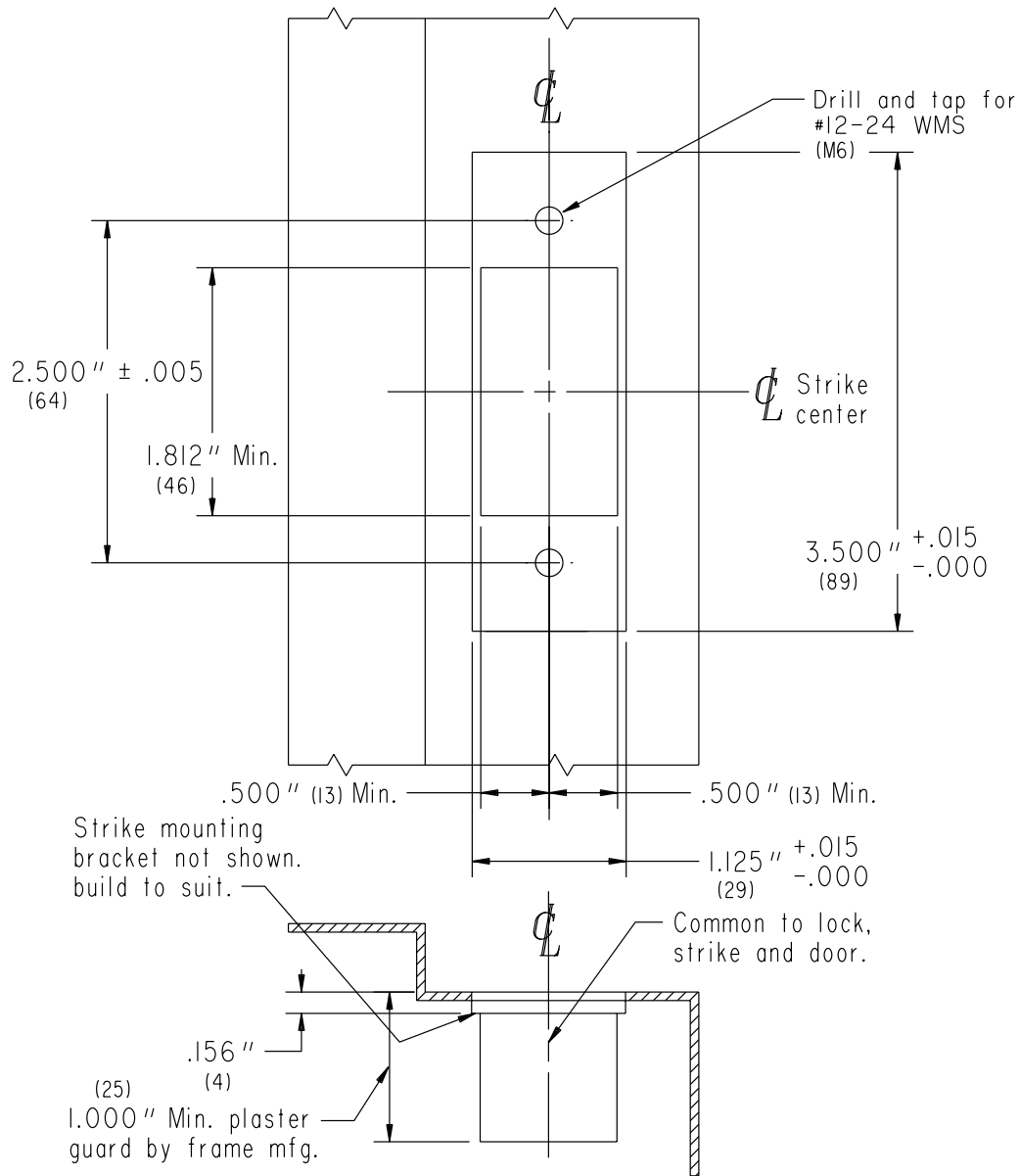


Notes:
 Dimension "X" - 5/32" (4), for strike box, detached.
 Strike location on frames must be adjusted for thickness of door silencers when used.

TEMPLATE NO. J922	JOB _____ DATE _____ DOOR THICKNESS _____ REMARKS _____	
---------------------------------	---	--

Metal jamb
 Mortise deadbolt, no lip
 Standard for L460, L462, L463, L464, L480

Note: Dimensions shown in parenthesis () are in millimeters.



Notes:

Strike box detached, but not required as plaster guard is furnished by frame mfg.

Strike location on frames must be adjusted for thickness of door silencers when used.

	JOB _____	TEMPLATE NO.
	DATE _____ DOOR THICKNESS _____	J923
	REMARKS _____	

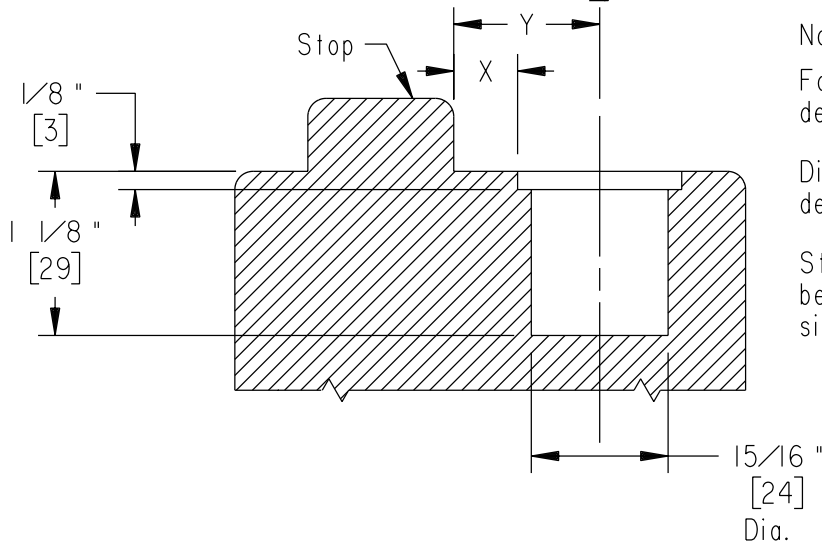
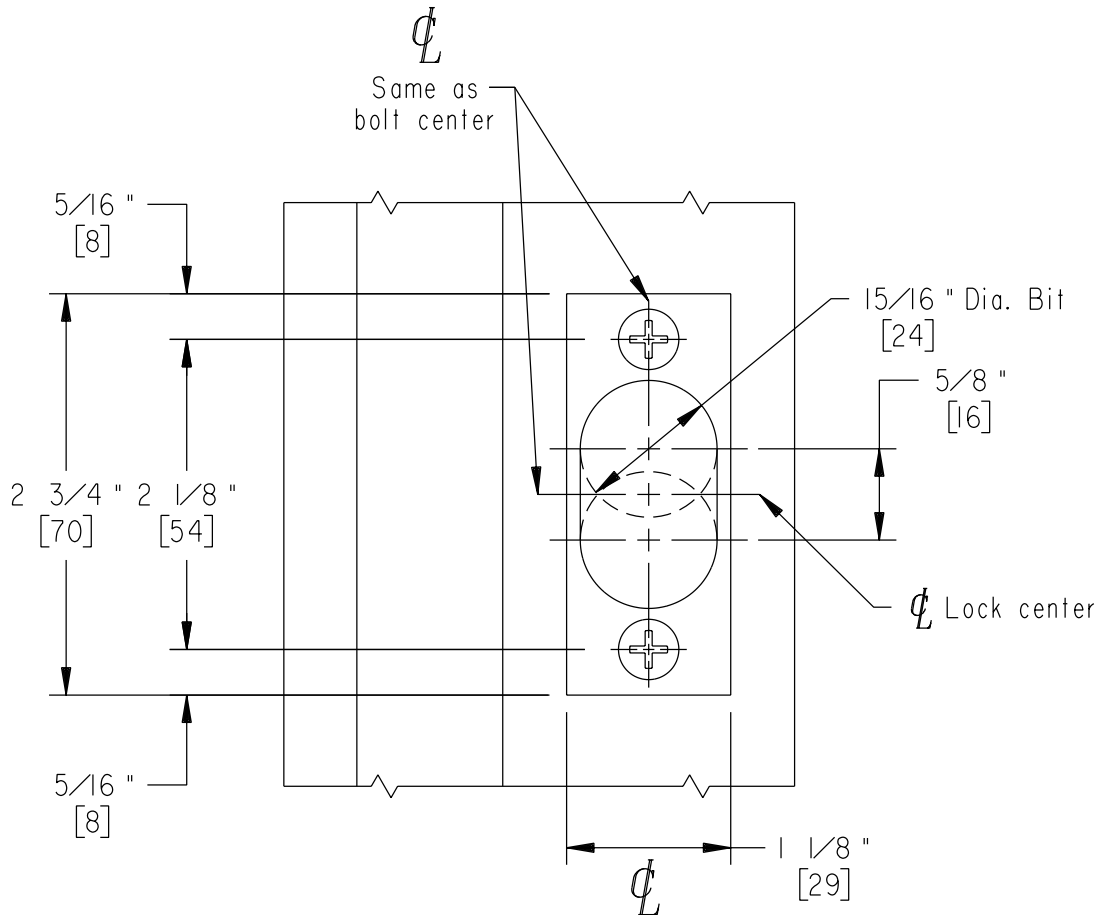
10-230
10-231

Wood jamb
Deadbolt
Standard for B260/262/280

SCHLAGE®

Strikes

Note: Dimensions shown in brackets [] are in millimeters.



Notes:

For use with 1" [25] throw deadbolt functions.

Dimensions X and Y are variables, depending on door thickness.

Strike location on frames must be adjusted for thickness of door silencers when used.

TEMPLATE NO.

J924

JOB _____

DATE _____ DOOR THICKNESS _____

REMARKS _____

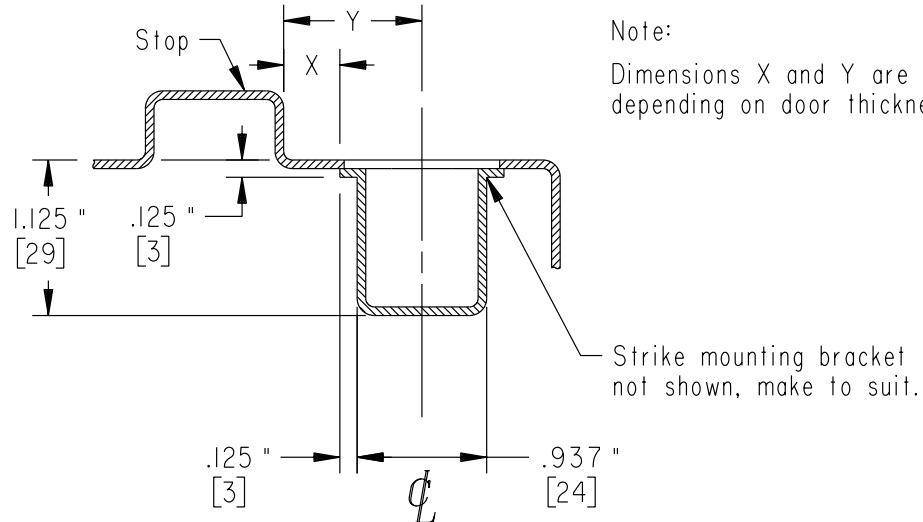
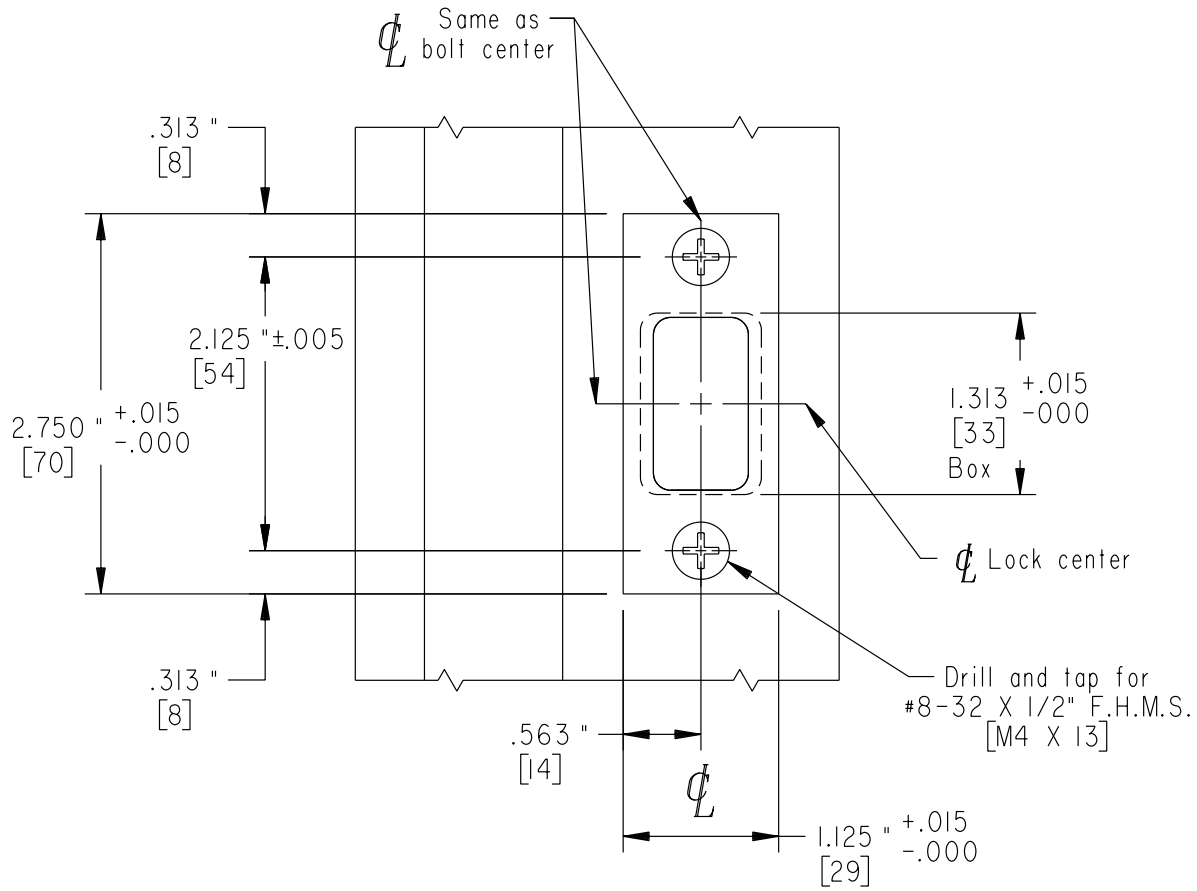
10-230
10-231

**Metal jamb
Deadbolt**
Standard for B260/262/280

SCHLAGE®

Strikes

Note: Dimensions shown in brackets [] are in millimeters.



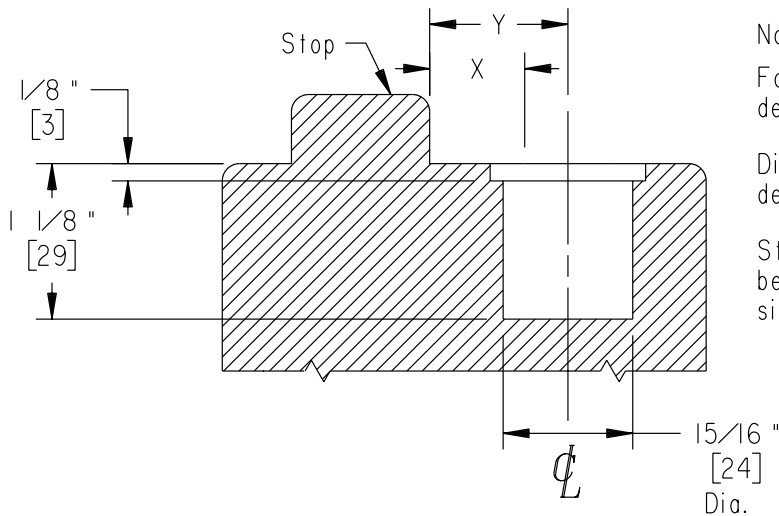
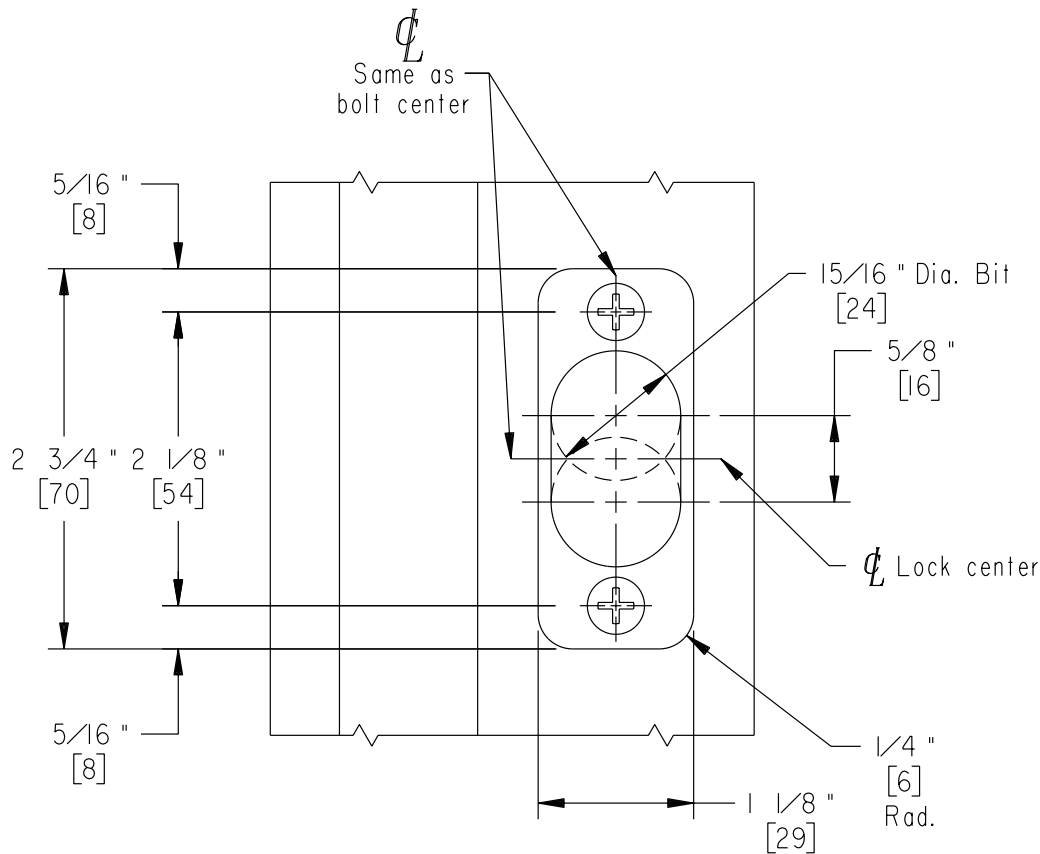
Note:
Dimensions X and Y are variables,
depending on door thickness.

	JOB _____	TEMPLATE NO.
	DATE _____ DOOR THICKNESS _____	J925
	REMARKS _____	

10-230
10-232

Wood jamb
Deadbolt
Standard for B260/262/280, 1/4" [6] radius corner
Note: Dimensions shown in brackets [] are in millimeters.

SCHLAGE®
Strikes



Notes:

For use with 1" [25] throw deadbolt functions.

Dimensions X and Y are variables, depending on door thickness.

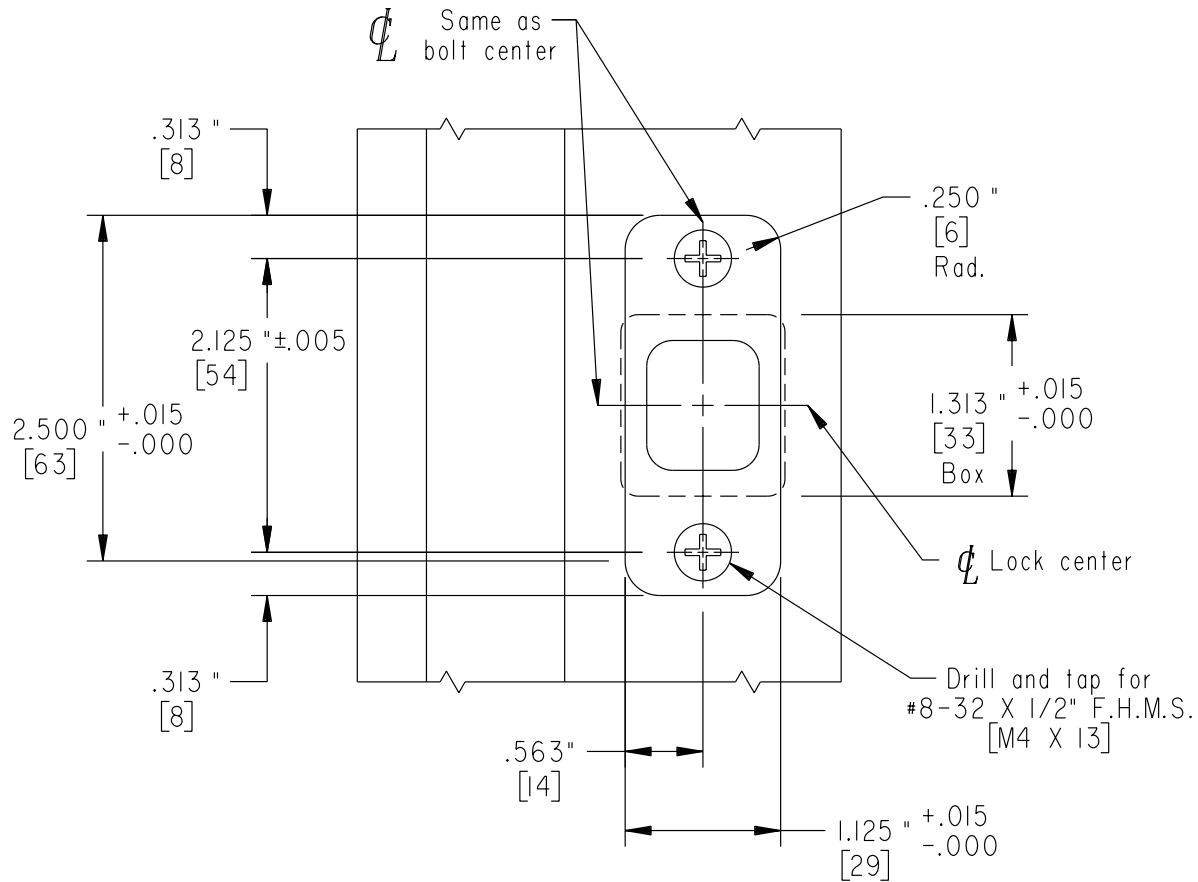
Strike location on frames must be adjusted for thickness of door silencers when used.

TEMPLATE NO. J926	JOB _____	
	DATE _____ DOOR THICKNESS _____	
REMARKS _____		

10-230
10-232

Metal jamb
Deadbolt
Standard for B260/262/280, 1/4" [6] radius corner
Note: Dimensions shown in brackets [] are in millimeters.

SCHLAGE®
Strikes



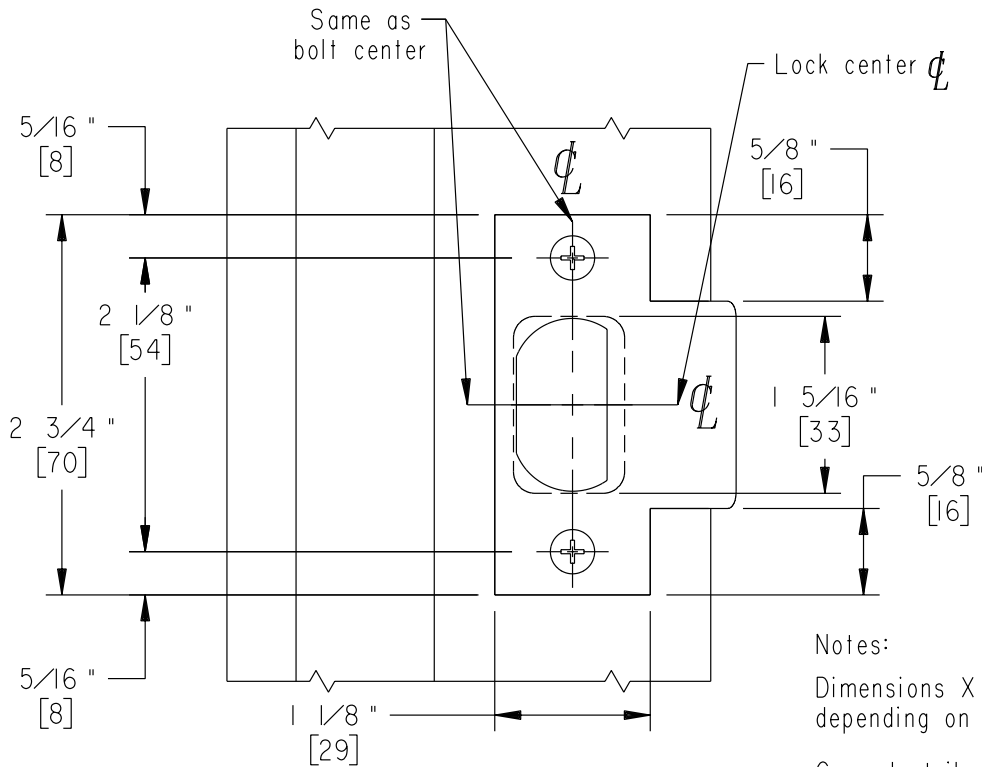
Note:
Dimensions X and Y are variables,
depending on door thickness.

	JOB _____	TEMPLATE NO.
	DATE _____ DOOR THICKNESS _____	J927
	REMARKS _____	

10-001
 10-013
 10-016
 10-019

Wood jamb
 ANSI standard 1³/₈" [35] doors
 Standard for A-Series, B250/252 and S-Series
Note: Dimensions shown in brackets [] are in millimeters.

SCHLAGE[®]
Strikes

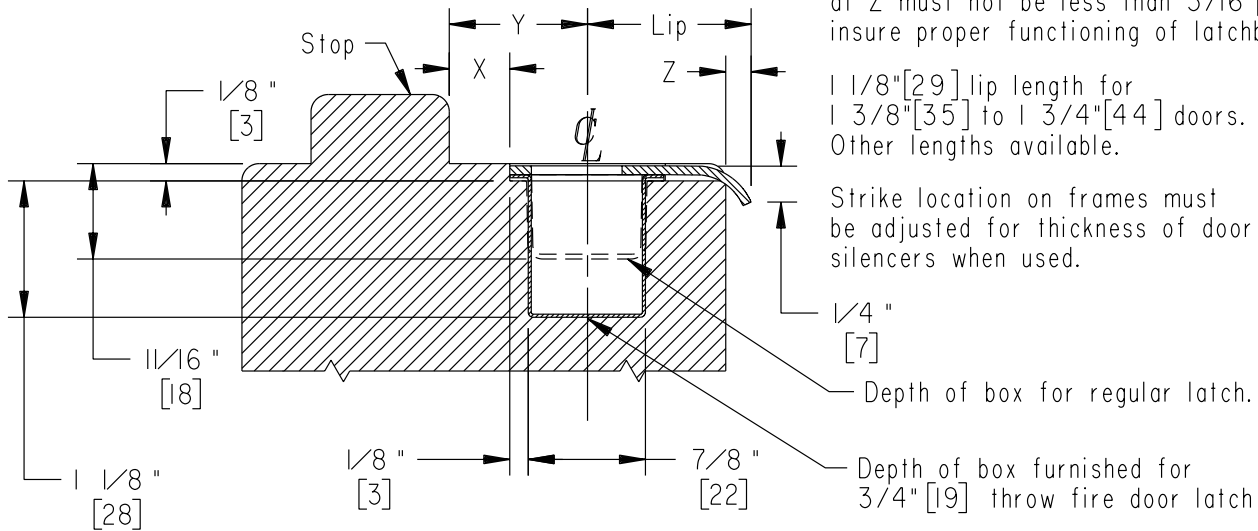


Notes:
 Dimensions X and Y are variables, depending on door thickness.

Curved strike extension beyond jamb at Z must not be less than 3/16" [5] to insure proper functioning of latchbolt.

1 1/8" [29] lip length for 1 3/8" [35] to 1 3/4" [44] doors. Other lengths available.

Strike location on frames must be adjusted for thickness of door silencers when used.



TEMPLATE NO. J928	JOB _____	
	DATE _____ DOOR THICKNESS _____	
REMARKS _____		

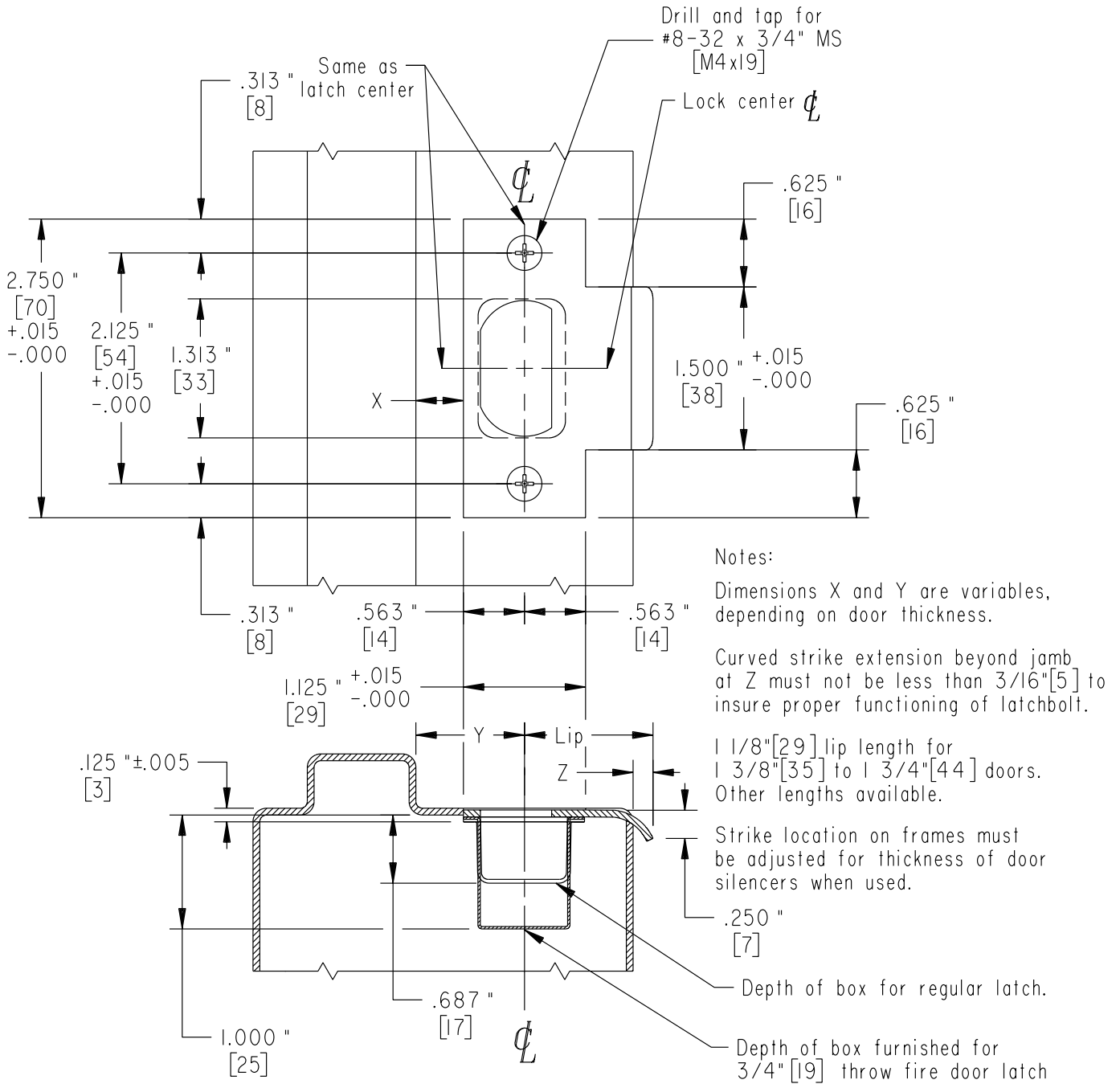
10-001
10-013
10-016
10-019

Metal jamb
ANSI standard 1 3/8" [35] doors
Standard for A-Series, B250/252 and S-Series

Note: Dimensions shown in brackets [] are in millimeters.

SCHLAGE®

Strikes



	JOB _____	TEMPLATE NO.
	DATE _____ DOOR THICKNESS _____	J929
	REMARKS _____	